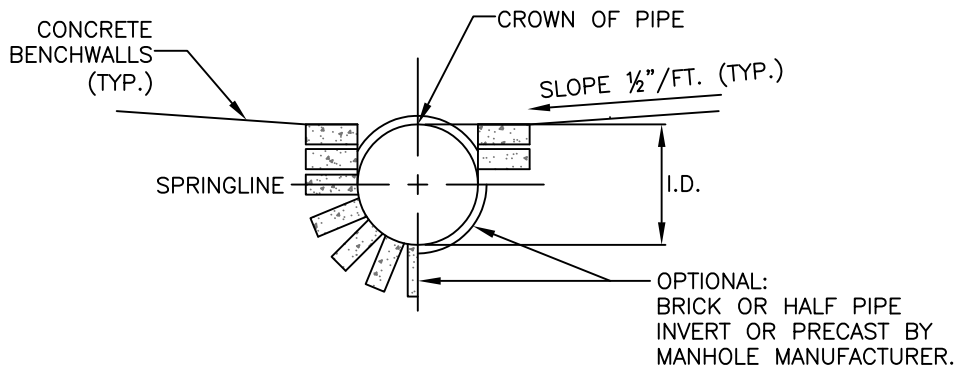
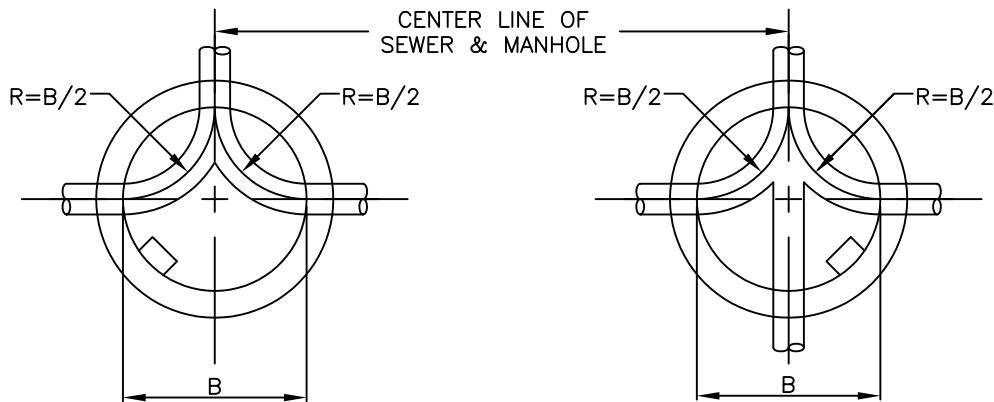
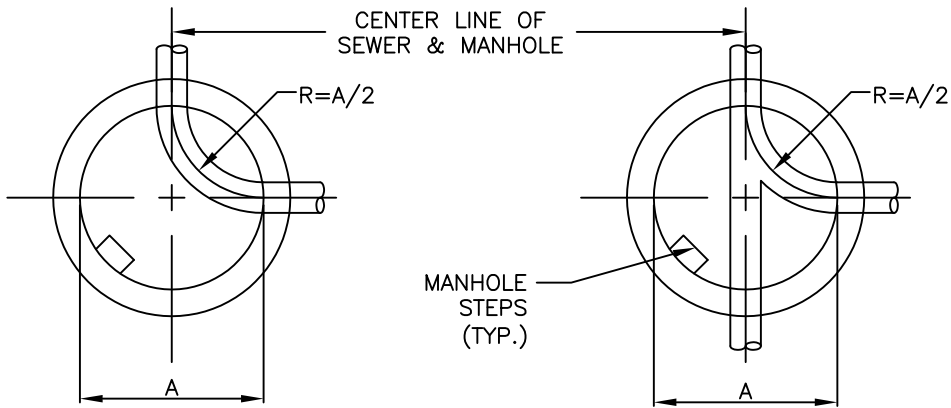


\\User\user folders\Town Projects\AutoCAD Projects\Non-Town Wide\Details\Sanitary\SA-09\ManholeInvertConfiguration.dwg



MIN. PIPE DIA.	8"	10"	12"	15"	18"	
DIMENSION	A	4'-0"	4'-0"	4'-0"	5'-0"	5'-0"
	B	5'-0"	5'-0"	5'-0"	5'-0"	5'-0"
SEE NOTE 2 FOR INVERT SLOPES						

NOTES:

1. DIMENSIONS A & B ARE GOVERNED BY OUTLET DIAMETER.
2. INVERT SLOPES:
 - A.) STRAIGHT THROUGH PIPE-SLOPES SHALL BE A MINIMUM 0.10' DROP ACROSS MANHOLE.
 - B.) 90° BENDS - PROVIDE MINIMUM 0.25' DROP ACROSS MANHOLE.
 - C.) WHERE TWO OR MORE PIPES ENTER A MANHOLE THE STEEPER OF SLOPES ABOVE WILL DETERMINE THE OUTLET ELEVATION.
 - D.) WHERE PIPES ARE OF DIFFERENT SIZE, SLOPE SHALL BE AS DETERMINED BY CONTRACT PLANS.



TOWN OF HENRIETTA

SANITARY MANHOLE INVERT CONFIGURATIONS & DIMENSIONS

SCALE: N.T.S.

DATE: 11/15/2011

SA-09