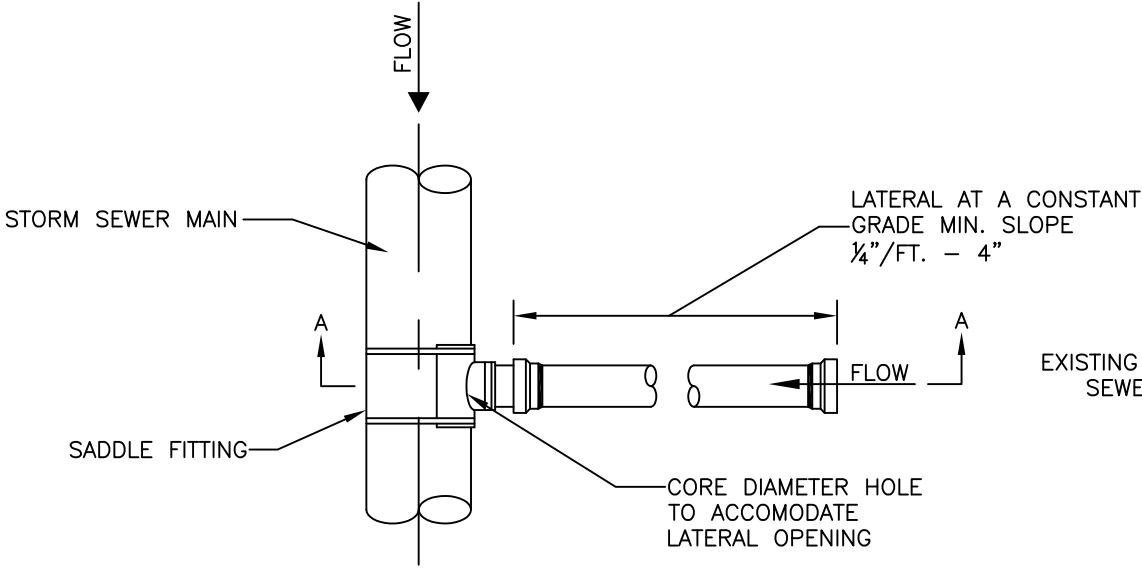
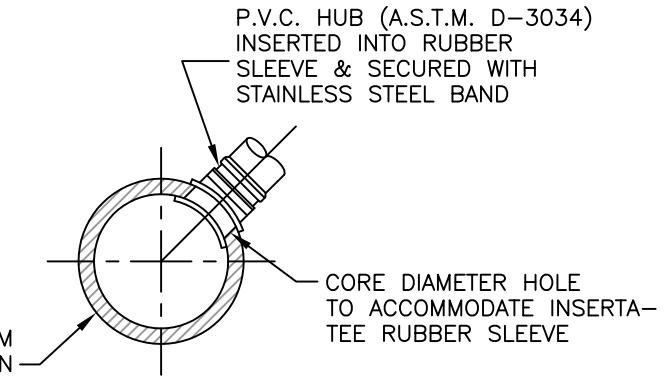


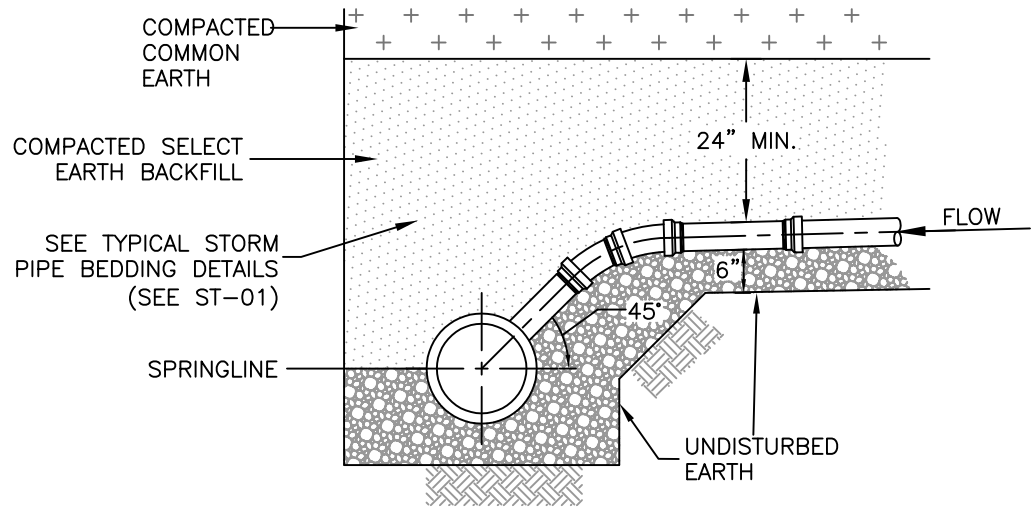
\\0server\user folders\Town Projects\AutoCAD Projects\Non-Town Wide\Details\Storm\ST-05\StormLateralConnection.dwg



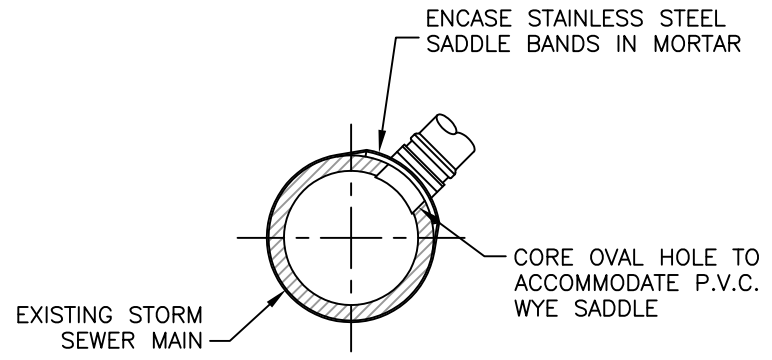
PLAN



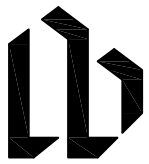
INSERTA-TEE



SECTION A-A



SADDLE CONNECTION TO EXISTING SEWER

 TOWN OF HENRIETTA	<b>STORM LATERAL CONNECTION DETAIL</b>	
	SCALE: N.T.S.	
	DATE: 11/15/2011	
	<b>ST-05</b>	