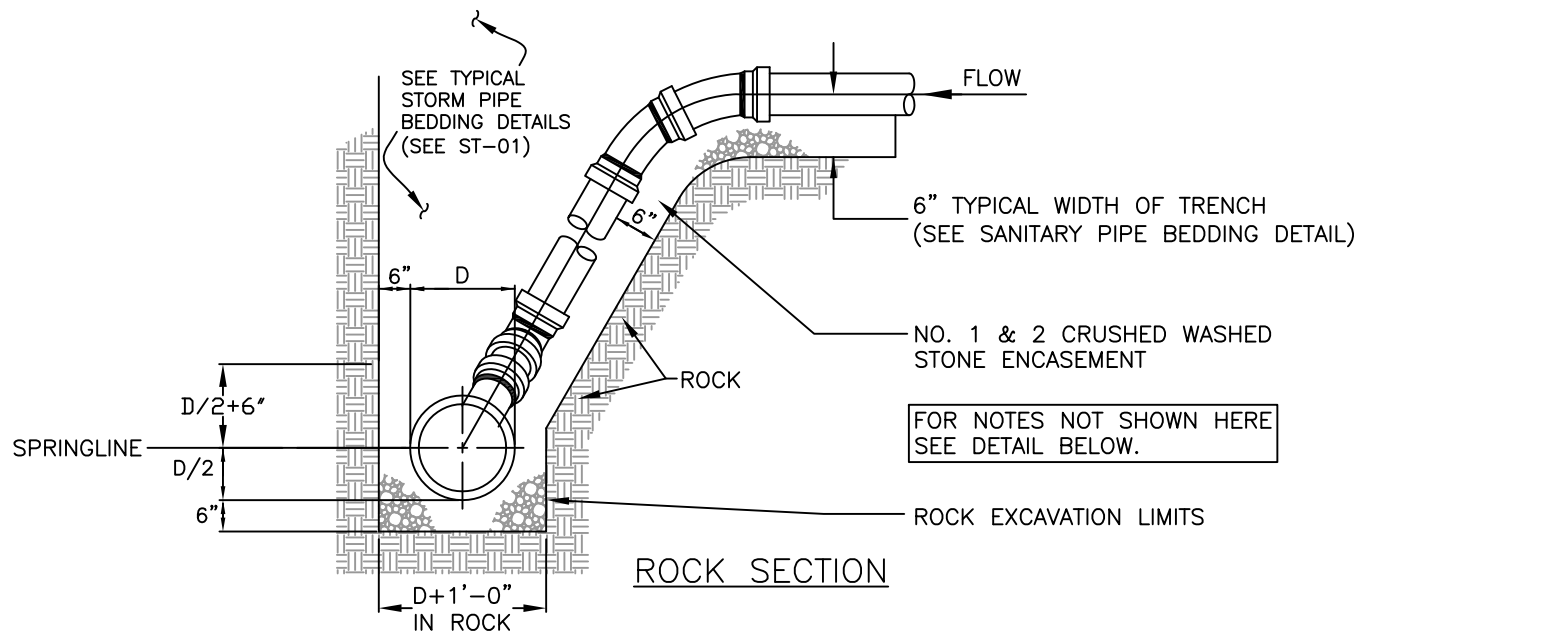
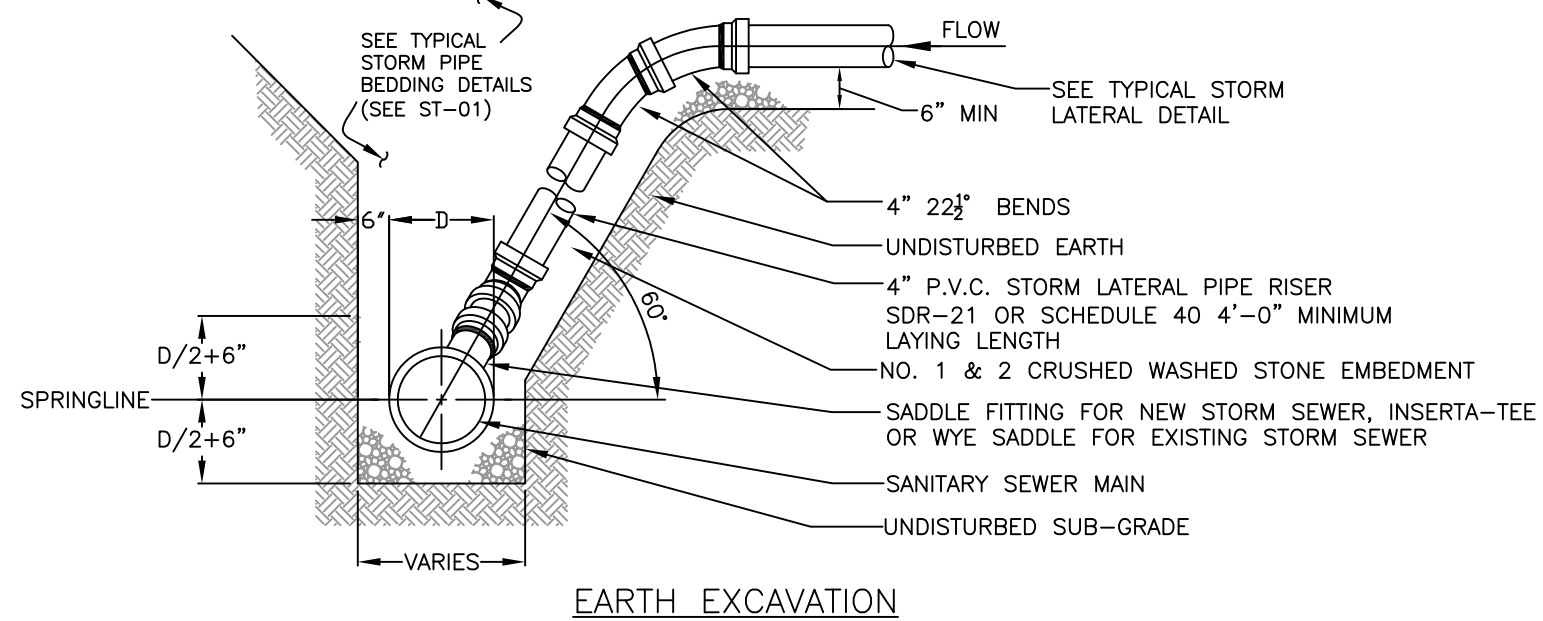


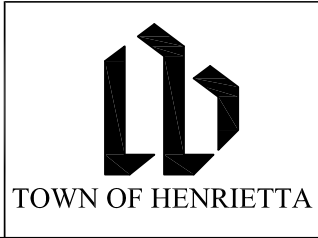
\\0server\user folders\Town Projects\AutoCAD Projects\Non-Town Wide\Details\Storm\ST-06\StormLateralRiser.dwg



**ROCK SECTION**



**EARTH EXCAVATION**



<b>STORM LATERAL RISER DETAIL</b>	
SCALE: N.T.S.	<b>ST-06</b>
DATE: 11/15/2011	