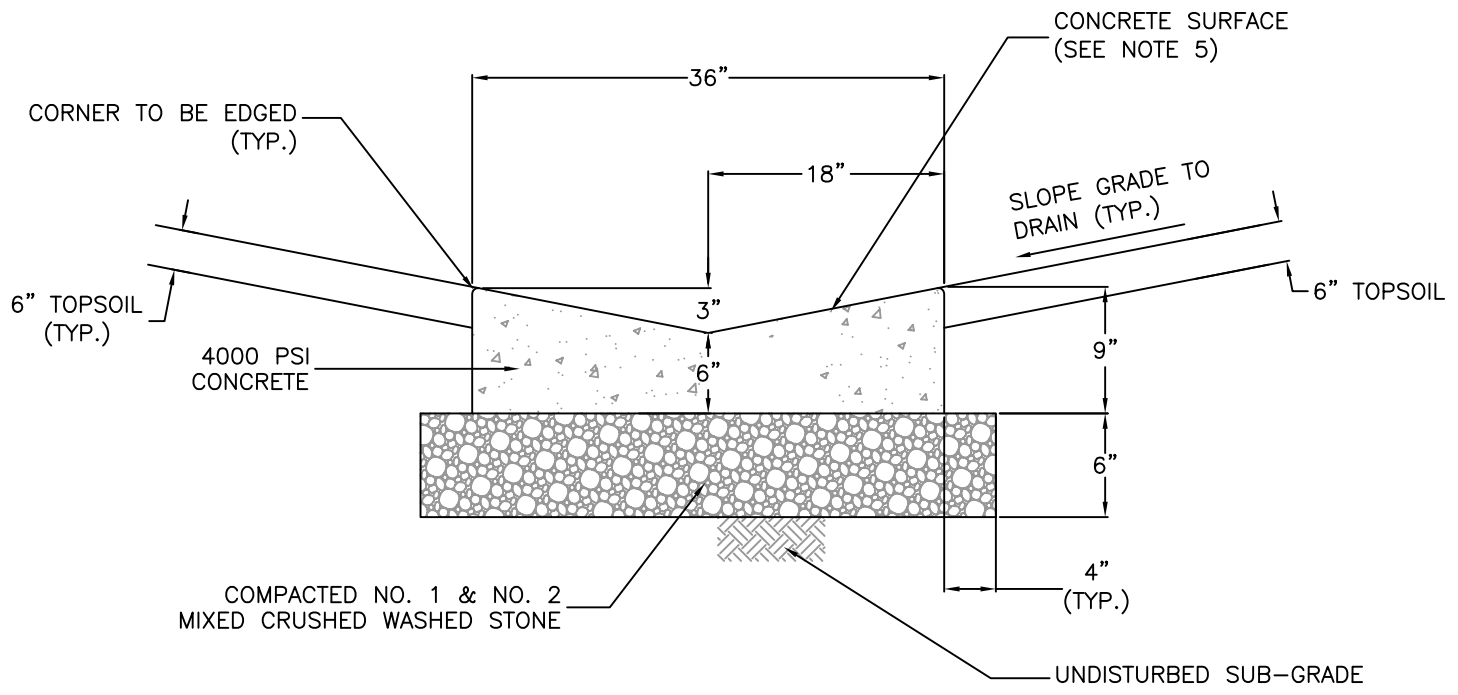



\\0server\user folders\Town Projects\AutoCAD Projects\Non-Town Wide\Details\Storm\ST-24\ConcreteChannel.dwg



NOTES:

1. CONCRETE SHALL BE CAST-IN-PLACE, 4,000 P.S.I., CLASS A, MEETING N.Y.S.D.O.T. SECTION 501 SPECIFICATIONS.
2. CONTRACTION AND CONSTRUCTION JOINTS SHALL BE SPACED AT 10 FEET INTERVALS & TRAVERSED TOOLED OR SAW CUT WITH A 2 INCH MINIMUM DEPTH. CONSTRUCTION JOINTS SHALL BE FULL DEPTH.
3. EXPANSION JOINTS SHALL BE SPACED AT 100 FEET INTERVALS, FULL DEPTH, AND SHALL BE FORMED WITH 1/2 INCH WIDE PRE-MOLDED BITUMINOUS JOINT FILLER. THE FILLER MATERIAL SHALL BE CUT TO CONFORM TO THE CROSS-SECTION OF THE CONCRETE CHANNEL.
4. ALL CONCRETE EDGES TO BE TOOLED WITH CONCRETE FINISHING TOOLS.
5. ALL EXPOSED SURFACES SHALL BE BROOM FINISHED AND SPRAY TREATED WITH TWO (2) COATS OF CLEAR, NON-YELLOWING CURING COMPOUND.

 TOWN OF HENRIETTA	CONCRETE CHANNEL	
	SCALE: N.T.S.	ST-24
	DATE: 11/15/2011	