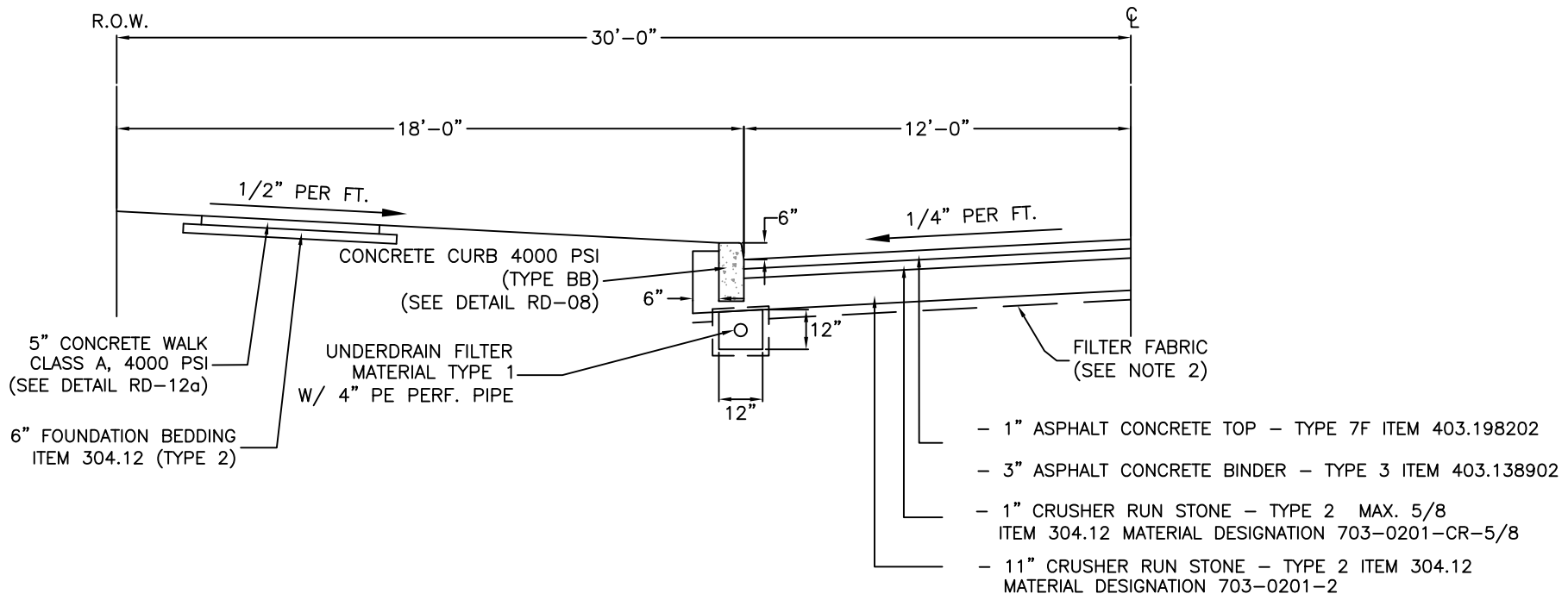
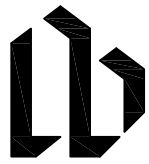


\\0server\user_folders\Town Projects\AutoCAD Projects\Non-Town Wide\Details\Roadway\RD-01A\PavementSection(Com-Ind-Curb).dwg



GEOTEXTILE FABRICS:

1. FOR DRAINAGE ENVELOPE FOR UNDERDRAIN PIPING AND FILTER STONE PROVIDE MIRAFI 140N (NON-WOVEN FABRIC) OR EQUAL.
2. FOR FABRIC SPREAD OVER ROADWAY PAVEMENT SUBGRADE PROVIDE MIRAFI 500X (WOVEN FABRIC) OR EQUAL.

 TOWN OF HENRIETTA	TYPICAL PAVEMENT SECTION FOR RESIDENTIAL STREETS (CURB)	
	SCALE: N.T.S.	RD-01a
	DATE: 03/14/2012	