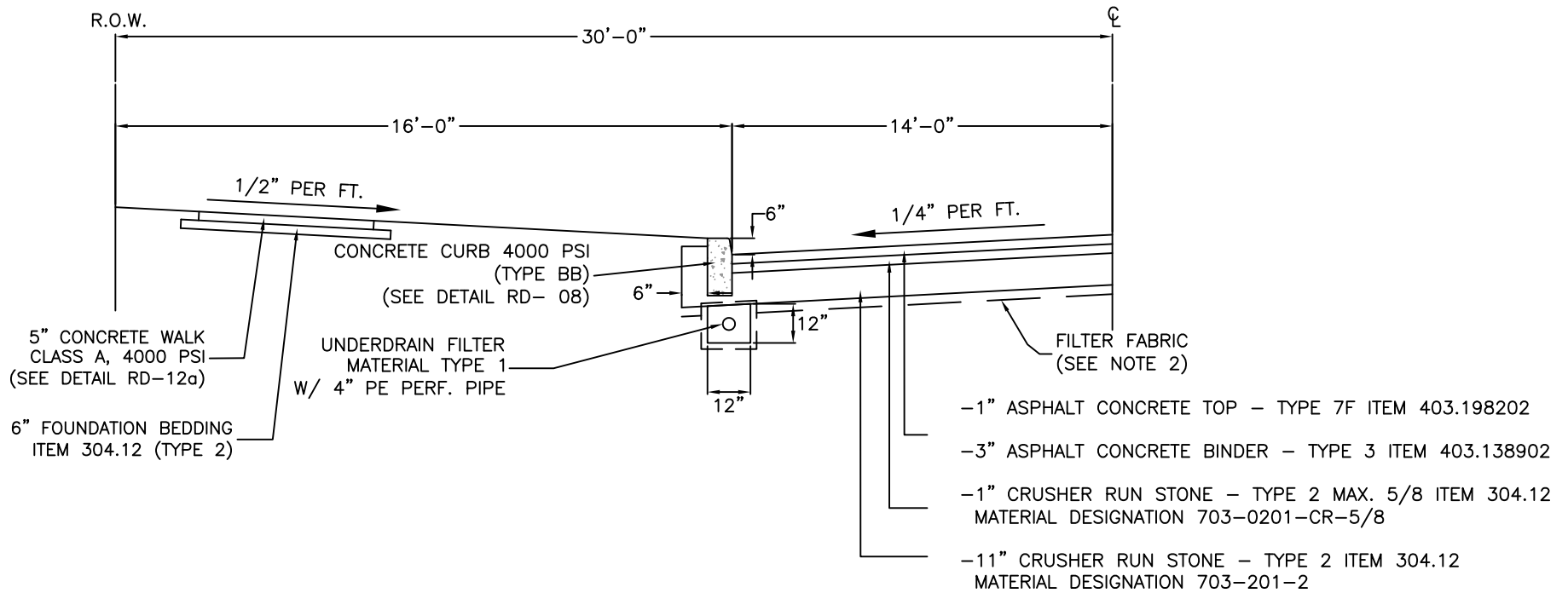


\\Oserver\user folders\Town Projects\AutoCAD Projects\Non-Town Wide\Details\Roadway\RD-01A\PavementSection(Com-Ind-Curb).dwg



**GEOTEXTILE FABRICS:**

1. FOR DRAINAGE ENVELOPE FOR UNDERDRAIN PIPING AND FILTER STONE PROVIDE MIRAFI 140N (NON-WOVEN FABRIC) OR EQUAL.
2. FOR FABRIC SPREAD OVER ROADWAY PAVEMENT SUBGRADE PROVIDE MIRAFI 500X (WOVEN FABRIC) OR EQUAL.



TOWN OF HENRIETTA

**TYPICAL PAVEMENT SECTION  
FOR RESIDENTIAL COLLECTOR STREETS  
(CURB)**

SCALE: N.T.S.

DATE: 03/14/2012

**RD-02a**