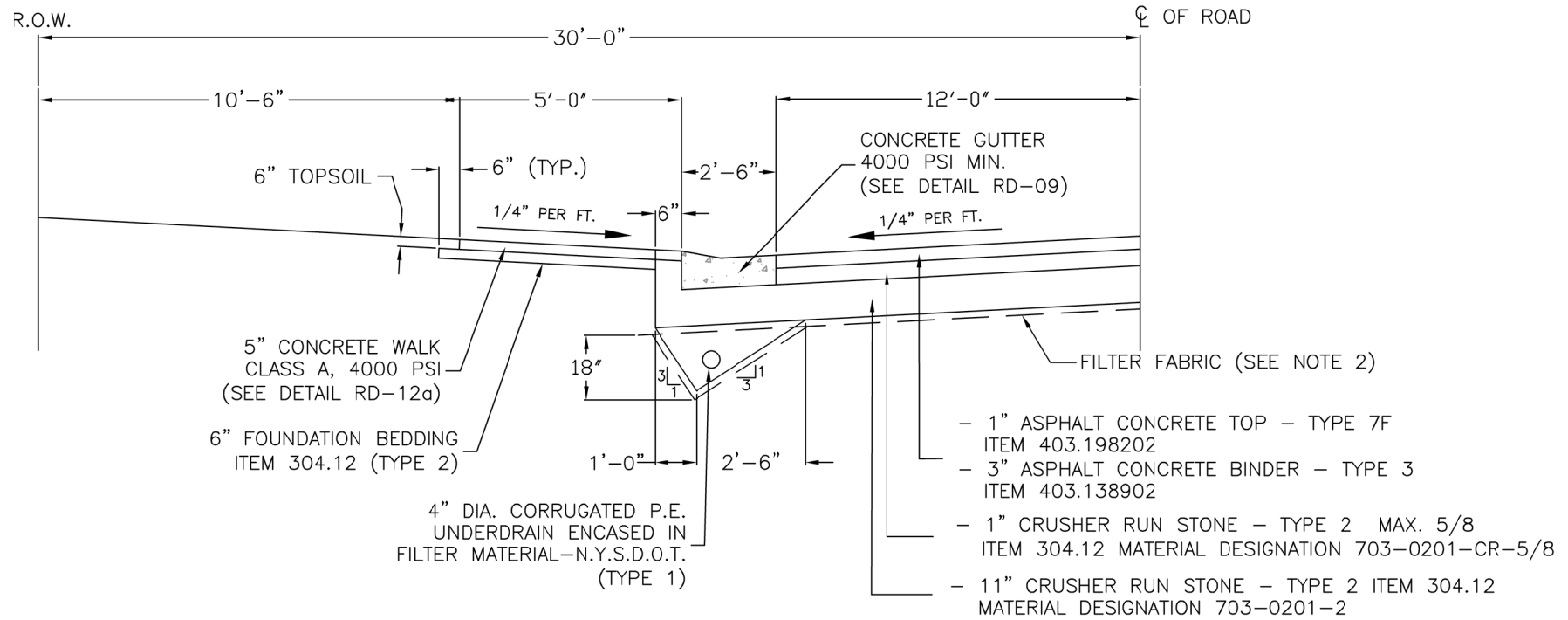


I:\SERVER\USER\Folders\Town Projects\AutoCAD Projects\Non-Town Wide\Details\Roadway\RD-02B\PavementSection(Residential-Gutter).dwg



GEOTEXTILE FABRICS:

1. FOR DRAINAGE ENVELOPE FOR UNDERDRAIN PIPING AND FILTER STONE PROVIDE MIRAFI 140N (NON-WOVEN FABRIC) OR EQUAL.
2. FOR FABRIC SPREAD OVER ROADWAY PAVEMENT SUBGRADE PROVIDE MIRAFI 500X (WOVEN FABRIC) OR EQUAL.



TOWN OF HENRIETTA

**TYPICAL PAVEMENT SECTION
FOR RESIDENTIAL COLLECTOR STREETS
(GUTTER)**

SCALE: N.T.S.

DATE: 07/15/2015

RD-02B