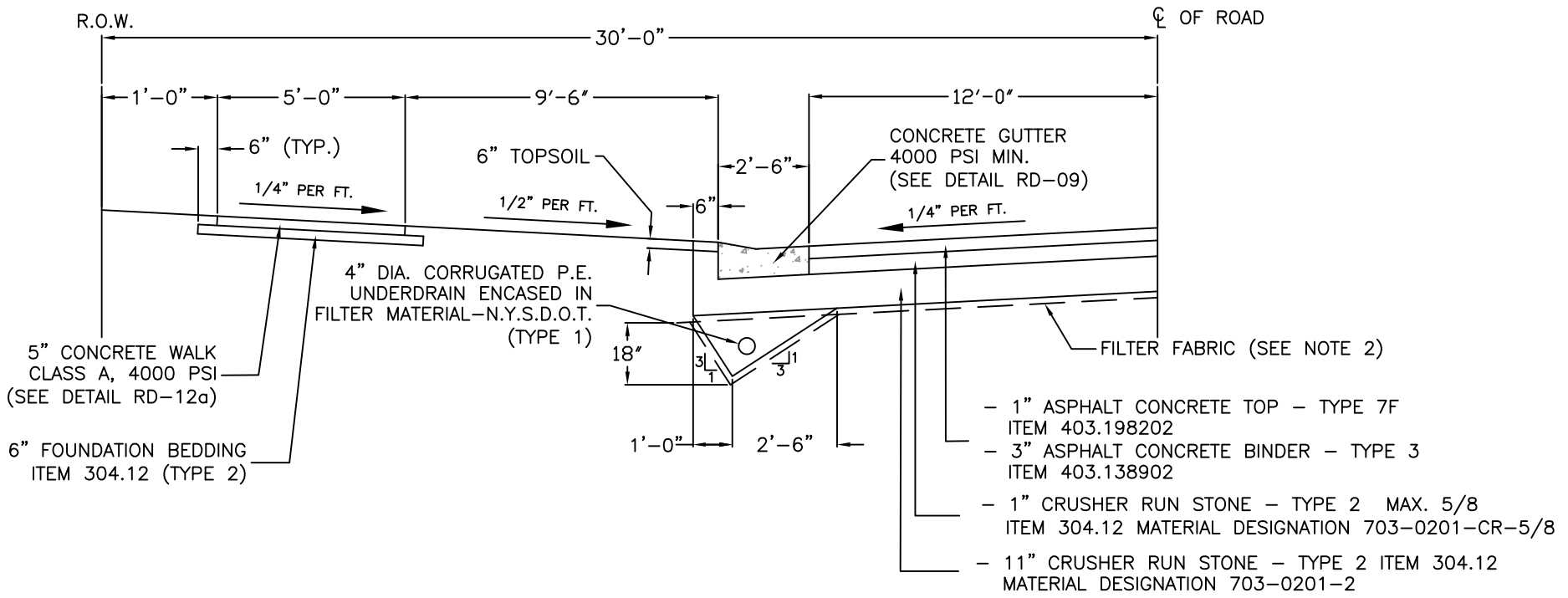



\\0server\user folders\Town Projects\AutoCAD Projects\Non-Town Wide\Details\Roadway\PavementSection\Residential-Gutter.dwg



**GEOTEXTILE FABRICS:**

1. FOR DRAINAGE ENVELOPE FOR UNDERDRAIN PIPING AND FILTER STONE PROVIDE MIRAFI 140N (NON-WOVEN FABRIC) OR EQUAL.
2. FOR FABRIC SPREAD OVER ROADWAY PAVEMENT SUBGRADE PROVIDE MIRAFI 500X (WOVEN FABRIC) OR EQUAL.

 TOWN OF HENRIETTA	<b>TYPICAL PAVEMENT SECTION FOR RESIDENTIAL COLLECTOR STREETS (GUTTER)</b>	
	SCALE: N.T.S.	<b>RD-02</b>
	DATE: 03/14/2012	