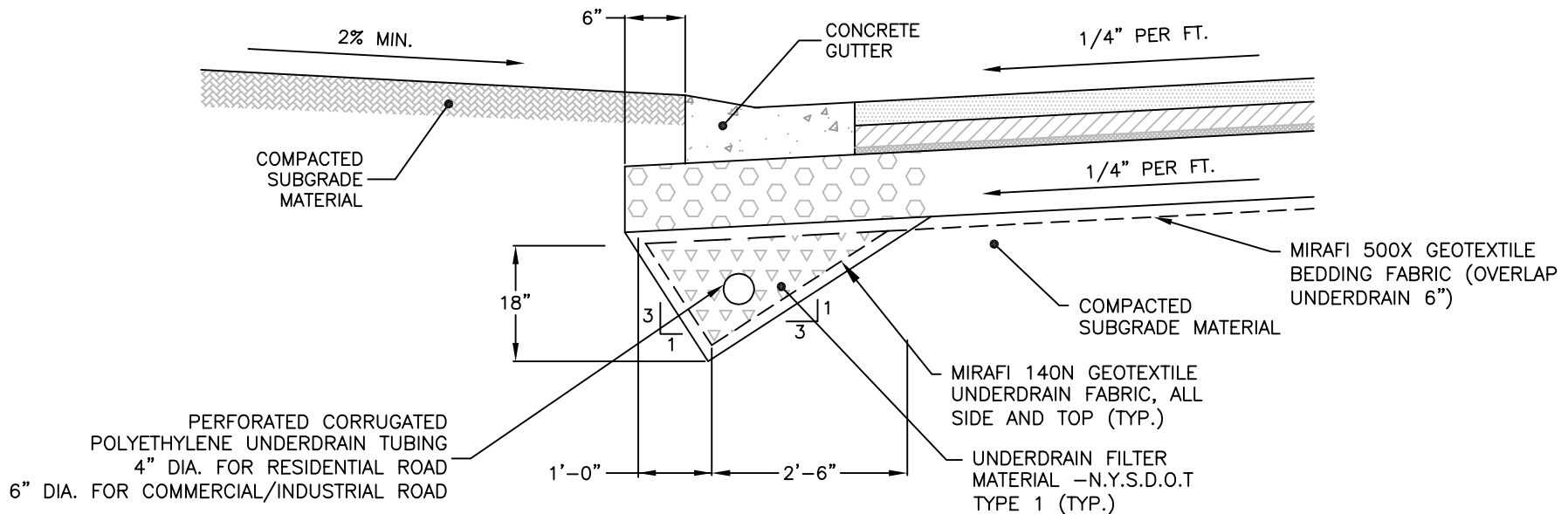



\\0server\user folders\Town Projects\AutoCAD Projects\Non-Town Wide\Details\Roadway\PavementSection\Residential-Gutter.dwg



 TOWN OF HENRIETTA	<b>UNDERDRAIN (GUTTER)</b>	
	SCALE: N.T.S.	<b>RD-07a</b>
	DATE: 03/15/2012	