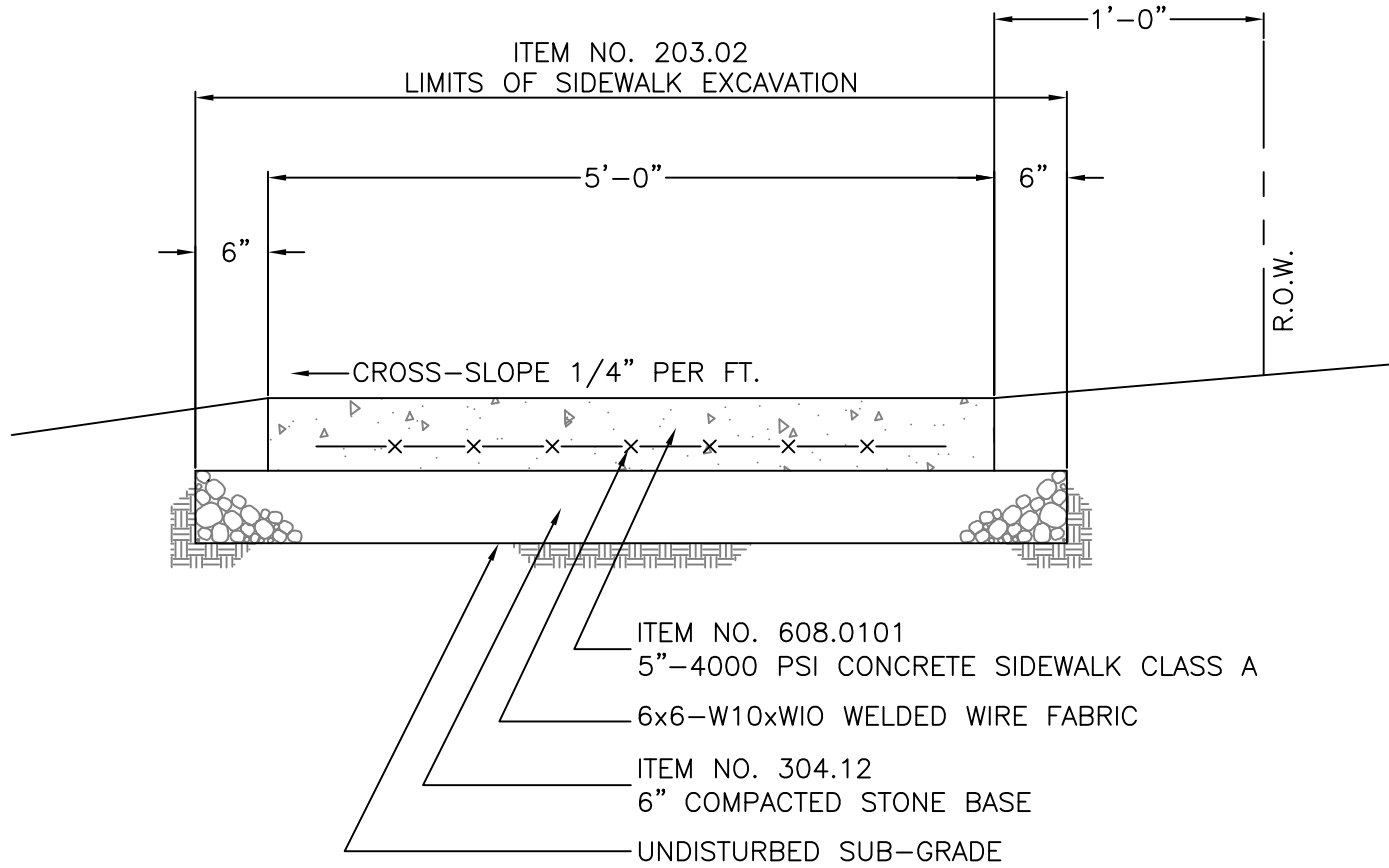



\\Oserver\user_folders\Town Projects\AutoCAD Projects\Non-Town Wide\Details\Roadway\RD-12a\StandardSidewalkDetail.dwg



NOTES:

1. MINIMUM CONCRETE STRENGTH SHALL BE 4000PSI AT 28 DAYS.
2. COMPACTED STONE BASE SHALL COMPLY WITH NYSDOT ITEM 304.12, TYPE 2.
3. CROSS SLOPE GRADE SHALL BE AS SHOWN ON DETAIL WHENEVER POSSIBLE AND SLOPED TOWARDS ROAD PAVEMENT.
4. WELDED WIRE FABRIC SHALL COMPLY WITH NYSDOT SPECIFICATION 709-02.
5. BROOM FINISH REQUIRED ON ALL SIDEWALKS.
6. CONTRACTOR MUST GRADE LAWN 2' FROM NEW SIDEWALK EDGE TO PROVIDE MOWABLE SLOPE AND RESTORE LAWN.

 TOWN OF HENRIETTA	STANDARD CONCRETE SIDEWALK	
	SCALE: N.T.S.	
	DATE: 01/21/2014	
		RD-12d