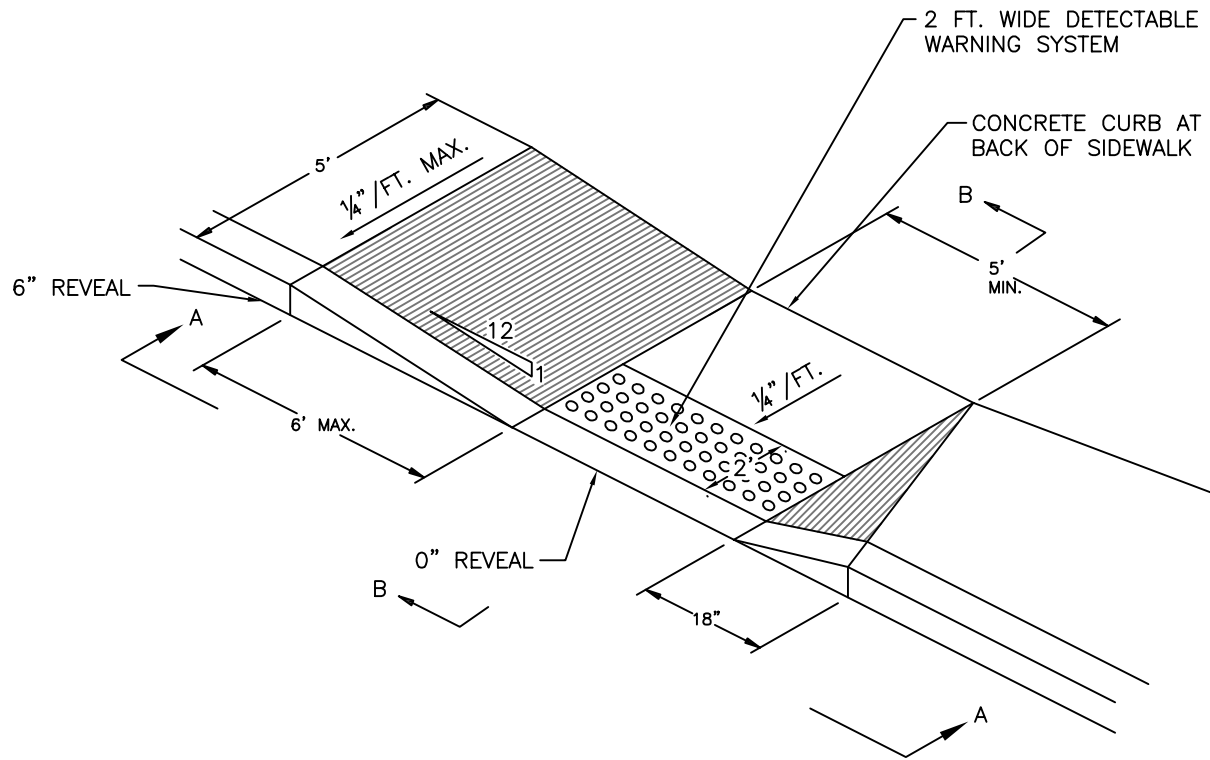


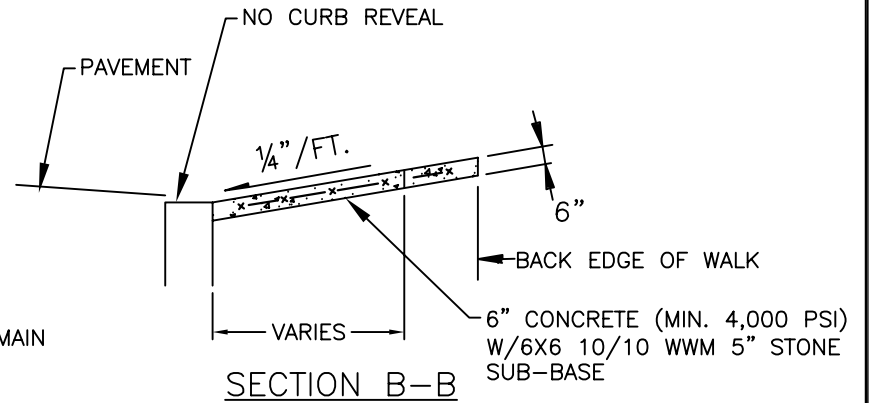
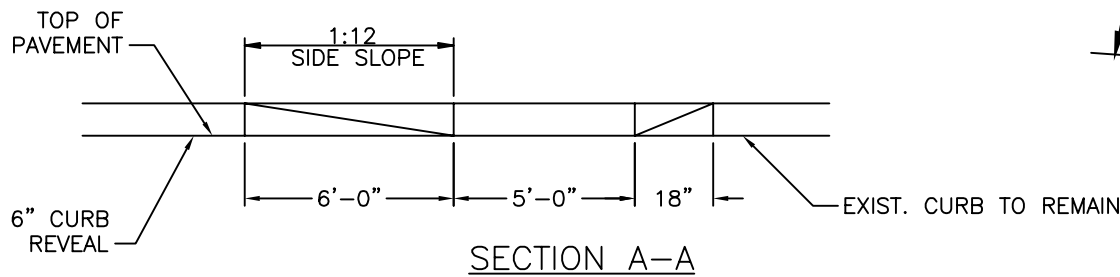
\\0server\user folders\Town Projects\AutoCAD Projects\Non-Town Wide\Details\Roadway\RD-13a\SidewalkRampType2B.dwg




NOTES:

1. THE MAXIMUM SLOPE OF A SIDEWALK RAMP IS 1:12 MAX.
2. THE SURFACE OF ALL SIDEWALK RAMP IS TO BE STABLE, FIRM, AND SLIP-RESISTANT. (i.e. COURSE BROOM FINISH PERPENDICULAR TO THE RAMP SLOPE IS ACCEPTABLE)
3. SIDEWALK RAMP LANDING PAD IS TO BE 5" THICK.

TYPE 2B RAMP ISOMETRIC



 TOWN OF HENRIETTA	PARALLEL SIDEWALK RAMP TYPE 2B	
	SCALE: N.T.S.	RD-13a
DATE: 03/14/2012		