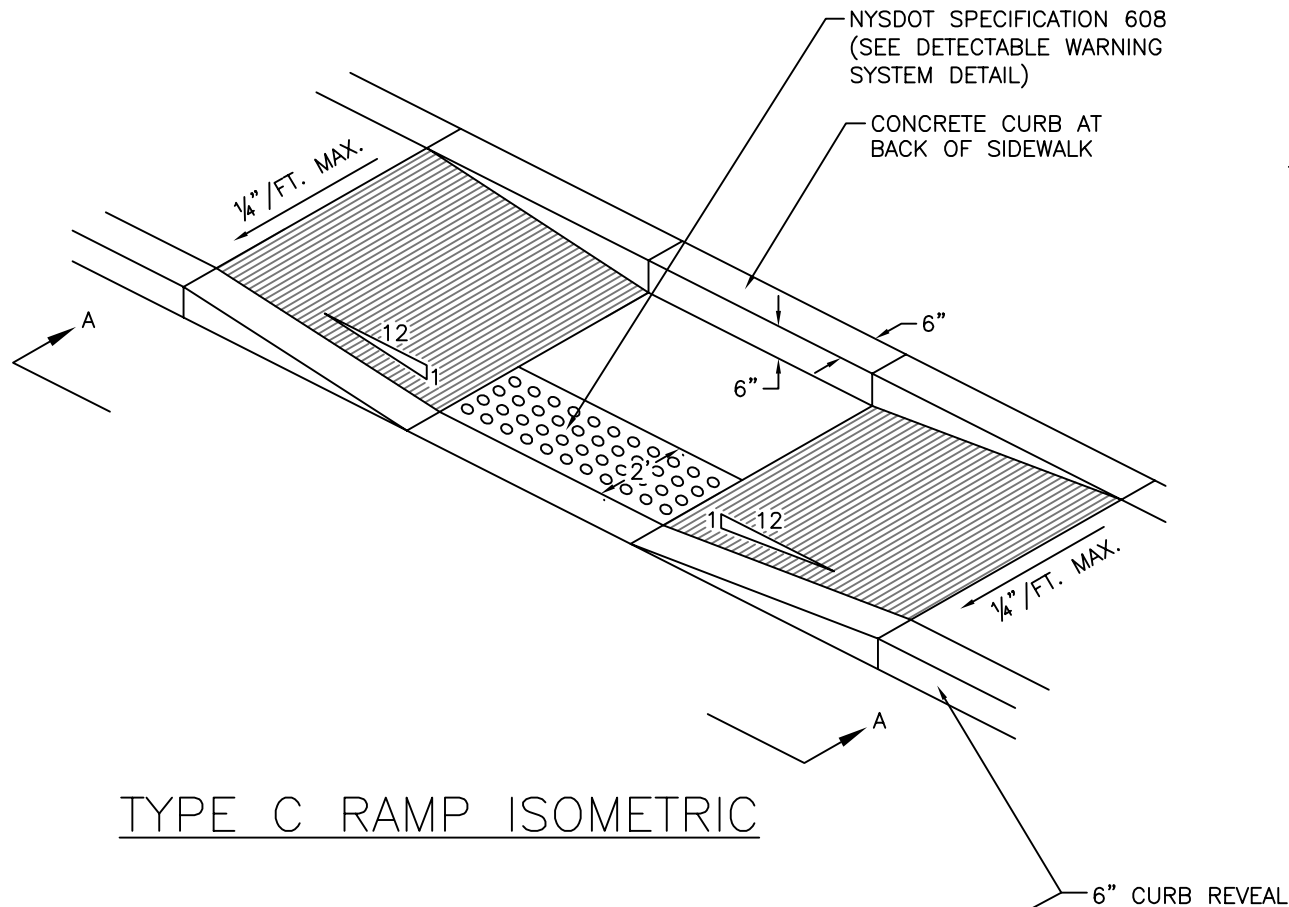


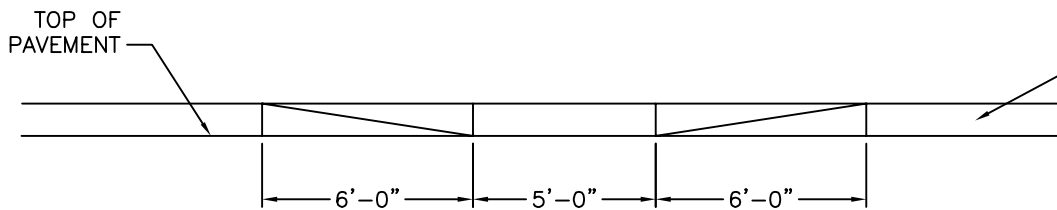
\\0server\user_folders\Town Projects\AutoCAD Projects\Non-Town Wide\Details\Roadway\RD-13c\SidewalkRampTypeB.dwg




NOTES:

1. THE MAXIMUM SLOPE OF A SIDEWALK RAMP IS 1:12. IF SPACE LIMITATIONS ON EXISTING SITES PROHIBIT THE USE OF 1:12, THE FOLLOWING SLOPES AND RISES MAY BE USED:
 - A. STEEPER THAN 1:12 (8.33%), BUT NO STEEPER THAN 1:10 (10%) 6" MAXIMUM RISE, 5' MAXIMUM RUN.
 - B. STEEPER THAN 1:10 (10%), BUT NO STEEPER THAN 1:8 (12.5%) 3" MAXIMUM RISE, 2' MAXIMUM RUN.
 - C. A SLOPE STEEPER THAN 1:8 (12.5%) IS NOT ALLOWED.
2. THE SURFACE OF ALL SIDEWALK RAMP IS TO BE STABLE, FIRM, AND SLIP-RESISTANT. (i.e. COURSE BROOM FINISH PERPENDICULAR TO THE RAMP SLOPE IS ACCEPTABLE)
3. SIDEWALK RAMP LANDING PAD IS TO BE 5" THICK.

TYPE C RAMP ISOMETRIC



VIEW A-A

 TOWN OF HENRIETTA	SIDEWALK RAMP TYPE C	
	SCALE: N.T.S.	RD-13c
	DATE: 03/14/2012	