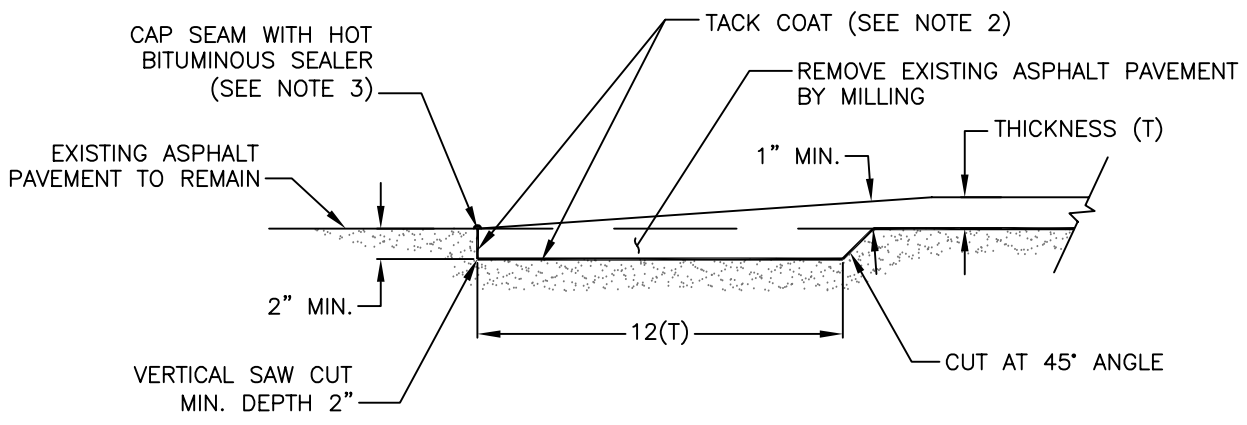



\\\\Oserver\\user_folders\\Town_Projects\\AutoCAD_Projects\\Non-Town_Wide\\Details\\Roadway\\(RD-21)\\PavementKey.dwg



NOTES:

1. PAVEMENT KEY SHALL BE CONSTRUCTED THE SAME DAY THAT NEW ASPHALT TOP COURSE IS PLACED.
2. EXISTING ASPHALT PAVEMENT SURFACES SHALL BE CLEANED AND TACK COATED IN ACCORDANCE WITH N.Y.S.D.O.T. STANDARD SPECIFICATIONS SECTION 407.01.
3. ALL BUTT JOINTS OR SEAMS BETWEEN EXISTING AND NEW ASPHALT SURFACES SHALL BE SEALED WITH AN ASPHALT FILLER CORRESPONDING TO THE MATERIAL REQUIREMENTS OF N.Y.S.D.O.T. MATERIAL DESIGNATION 702-05 OR 702-3401.

 TOWN OF HENRIETTA	PAVEMENT KEY	
	SCALE: N.T.S.	RD-21
	DATE: 3/14/2012	