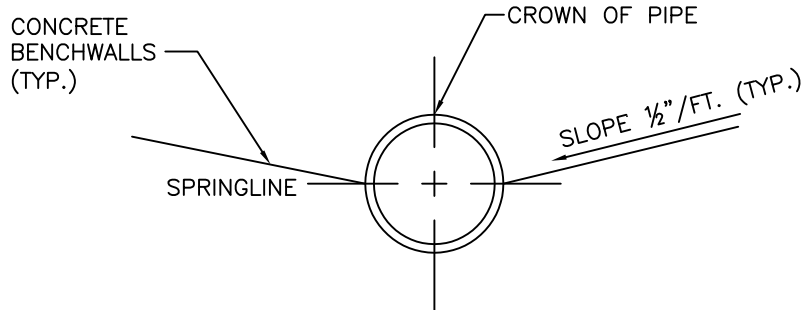
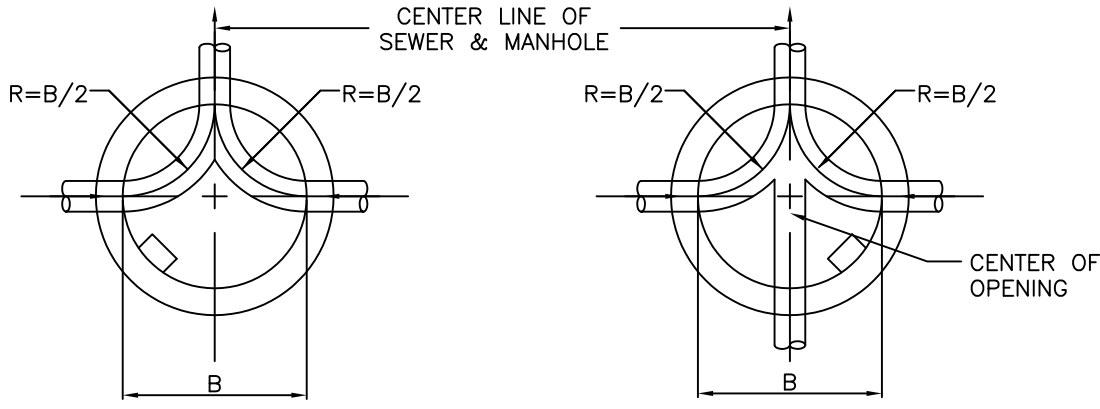
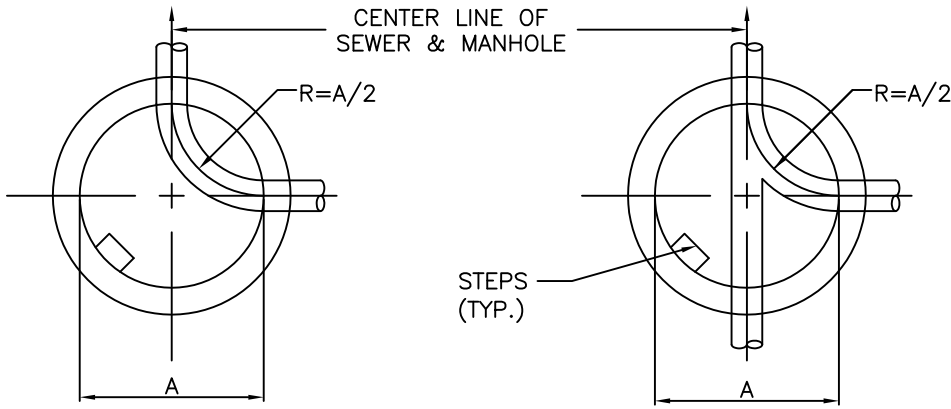



\\0server\user folders\Town Projects\AutoCAD Projects\Non-Town Wide\Details\Storm\ST-10\ManholeInvertConfiguration.dwg



MIN. PIPE DIA.	12"	15"	18"	24"	30"	36"	42"	
DIMENSION	A	4'-0"	4'-0"	5'-0"	5'-0"	6'-0"	6'-0"	E
	B	5'-0"	5'-0"	5'-0"	5'-0"	6'-0"	6'-0"	E
SEE NOTE 2 FOR INVERT SLOPES								

NOTES:

1. DIMENSIONS A & B ARE GOVERNED BY OUTLET DIAMETER.
2. INVERT SLOPES:
 - A.) STRAIGHT THROUGH PIPE—SLOPES SHALL BE A MINIMUM 0.1' DROP ACROSS MANHOLE.
 - B.) 90° BENDS — PROVIDE MINIMUM 0.2' DROP ACROSS MANHOLE.
 - C.) WHERE TWO OR MORE PIPES ENTER A MANHOLE THE STEEPER OF SLOPES ABOVE WILL DETERMINE THE OUTLET ELEVATION.
 - D.) WHERE PIPES ARE OF DIFFERENT SIZE, SLOPE SHALL BE AS DETERMINED BY CONTRACT PLANS.
 - E.) REQUIRES SPECIAL MANHOLES AND DETAILS.

 TOWN OF HENRIETTA	STORM MANHOLE INVERT CONFIGURATIONS & DIMENSIONS	
	SCALE: N.T.S.	
	DATE: 11/15/2011	
		ST-10