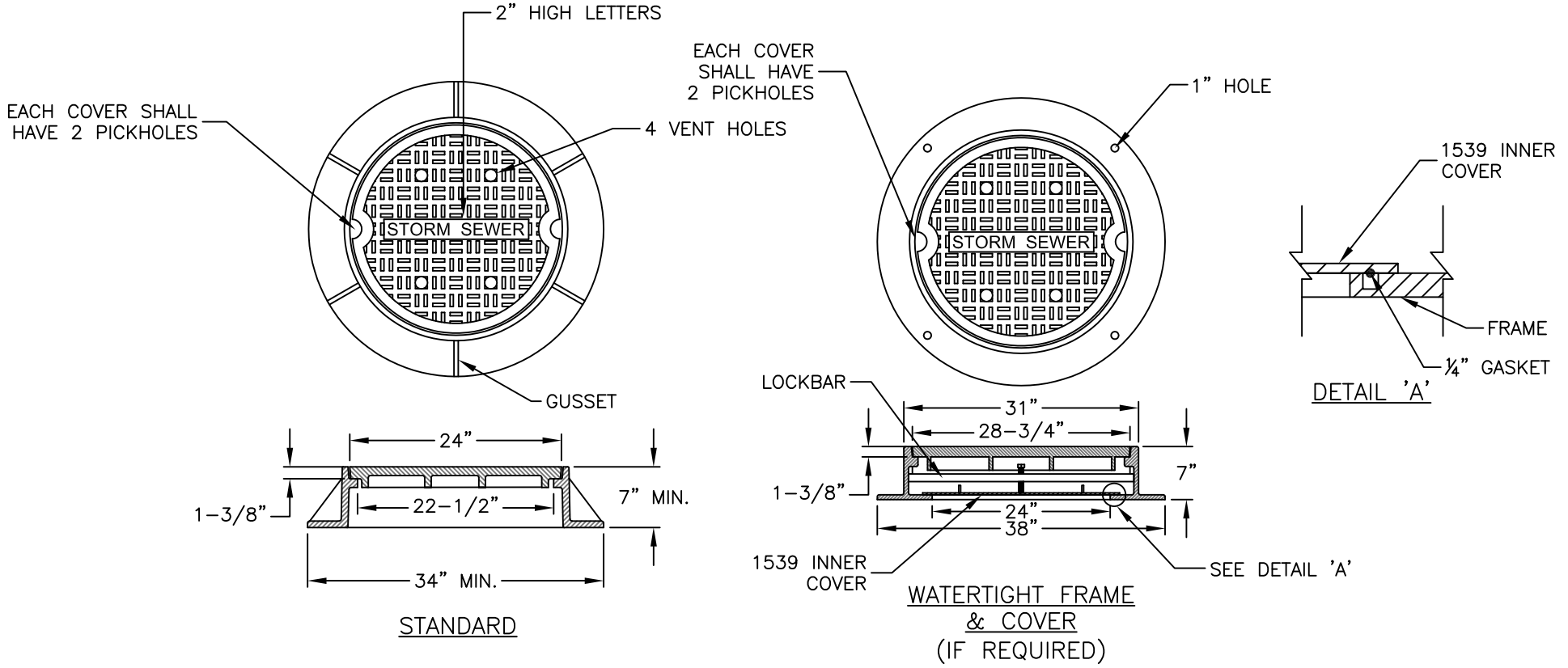
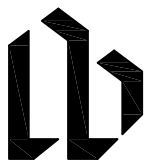


\\0server\user folders\Town Projects\AutoCAD Projects\Non-Town Wide\Details\Storm\ST-01\PipeBedding.dwg



NOTES:

1. MATERIAL SHALL BE GRAY CAST IRON CONFORMING TO A.S.T.M. A48 (LATEST REVISION) CLASS 308.
2. HEAVY DUTY CASTING SHALL BE DESIGNED FOR A.A.S.H.T.O. H20-16 WHEEL LOADS.
3. THE STANDARD CASTING SHALL BE MODEL NO. 1032 & WATERTIGHT CASTING MODEL NO. 6545 AS MANUFACTURED BY SYRACUSE CASTING SALES CORP. OR APPROVED EQUAL.

 TOWN OF HENRIETTA	STORM MANHOLE FRAME AND COVER	
	SCALE: N.T.S.	
	DATE: 11/15/2011	
		ST-11