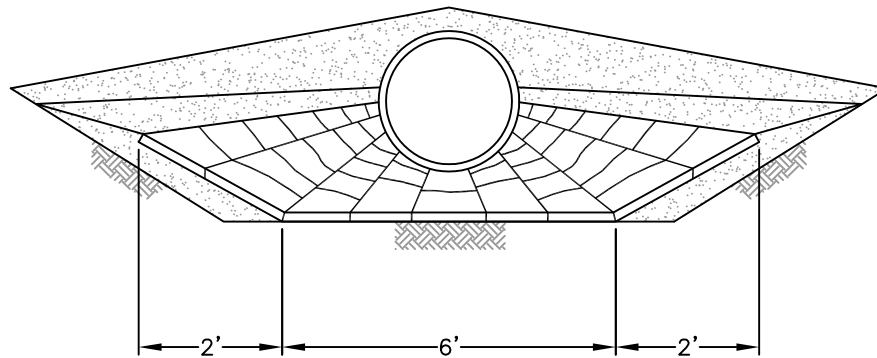


PLAN VIEW



SECTION B-B



TOWN OF HENRIETTA

**RIP-RAP**

SCALE: N.T.S.

DATE: 11/15/2011

**ST-22**