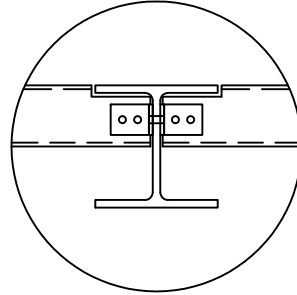
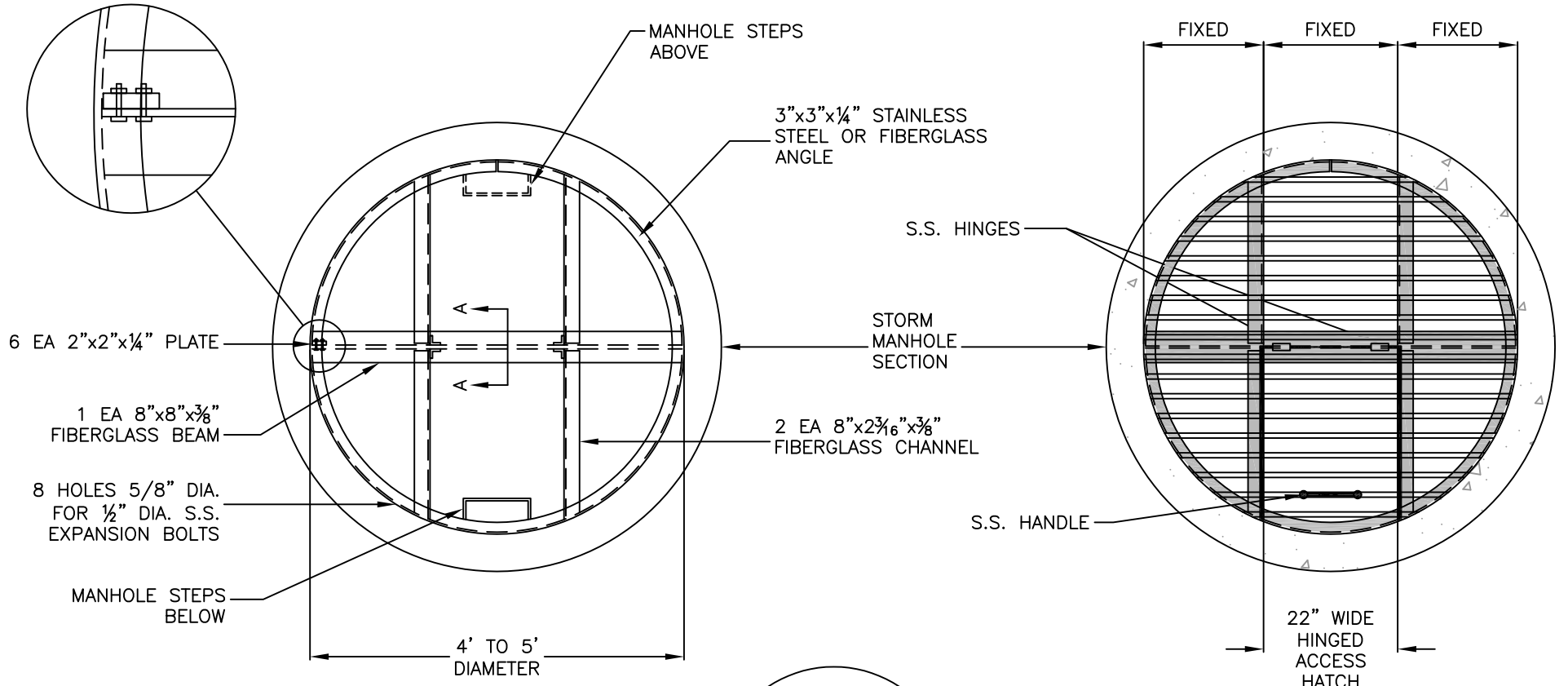



\\server\user folders\Town Projects\AutoCAD Projects\Non-Town Wide\Details\Storm\ST-23\SafetyGrating.dwg



SECTION A-A

NOTES:

1. FIBERGLASS SAFETY PLATFORMS WILL BE REQUIRED IN ALL STORM MANHOLES IN EXCESS OF 16 FT. IN DEPTH (BETWEEN RIM & INVERT).
2. ALL BOLTS, METAL HARDWARE, & ACCESSORIES SHALL BE STAINLESS STEEL (S.S.).
3. GRATING SHALL BE FIBERGLASS GRATING DURADEK I-6000 1" I-BARS OR APPROVED EQUAL.
4. SPECIAL MANHOLE FRAME & COVER SHALL BE REQUIRED FOR ACCESS. USE MODEL NO. 1011A AS MANUFACTURED BY SYRACUSE CASTINGS OR APPROVED EQUAL.



TOWN OF HENRIETTA

MANHOLE SAFETY LANDING	
SCALE: N.T.S.	ST-23
DATE: 11/15/2011	