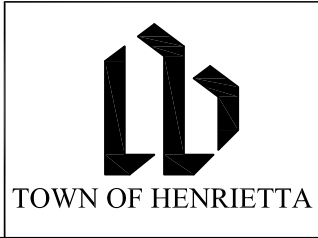
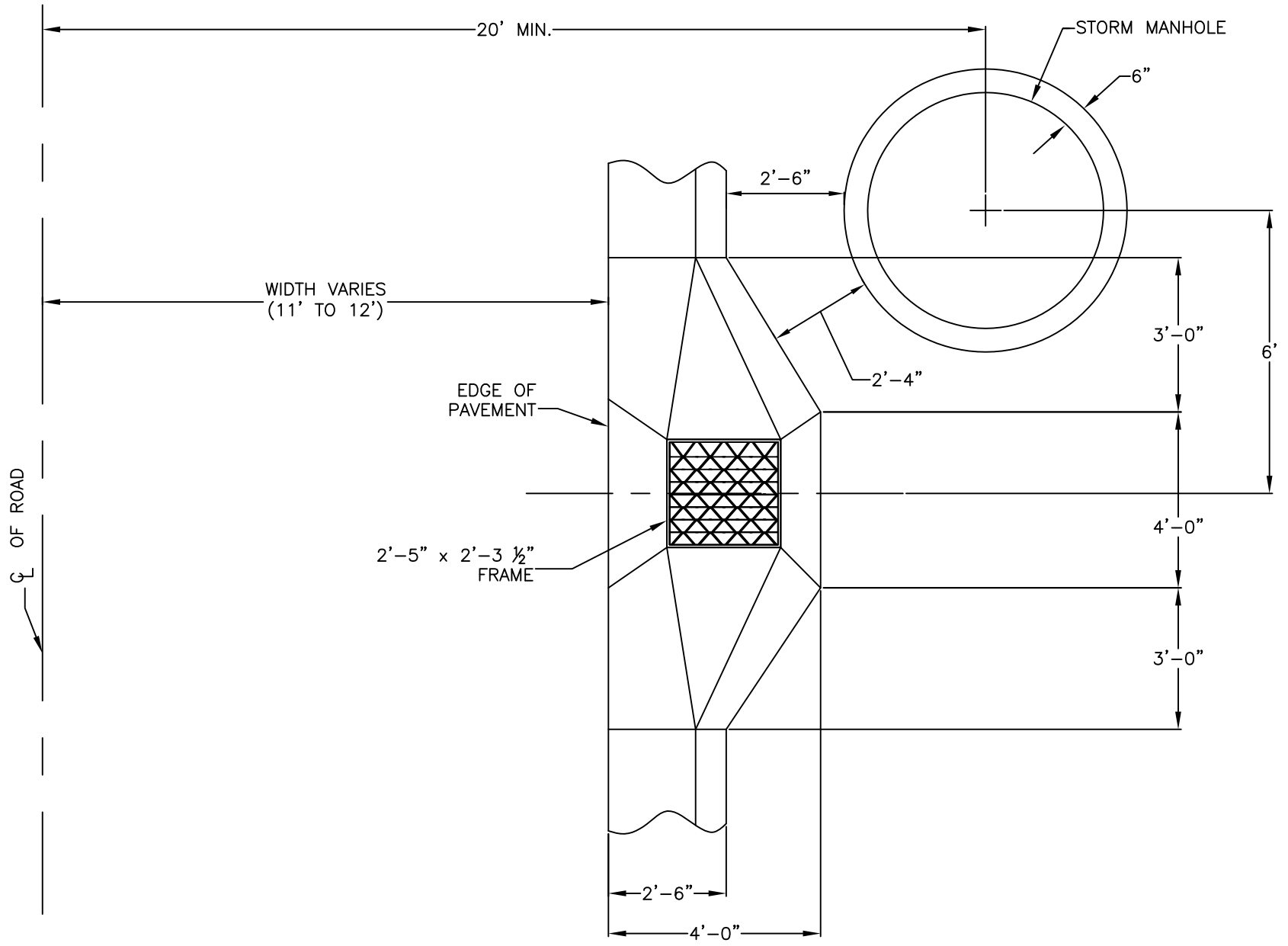


\\0server\user folders\Town Projects\AutoCAD Projects\Non-Town Wide\Details\Storm\ST-27\StormManholeLocation.dwg



STORM MANHOLE LOCATION DETAIL	
SCALE: N.T.S.	ST-27
DATE: 7/1/2013	