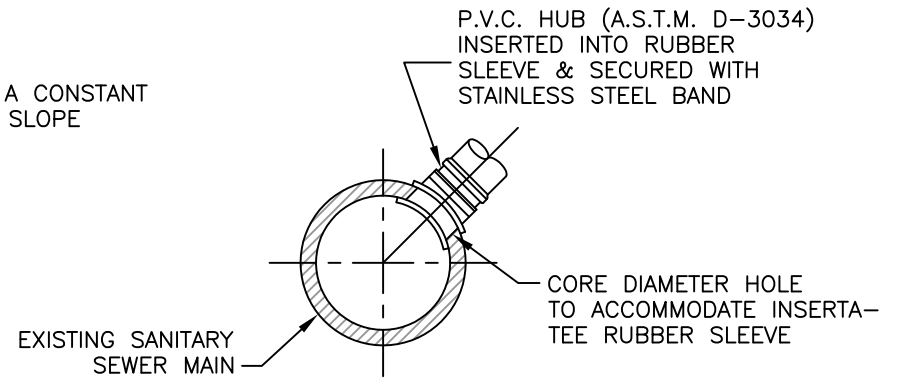
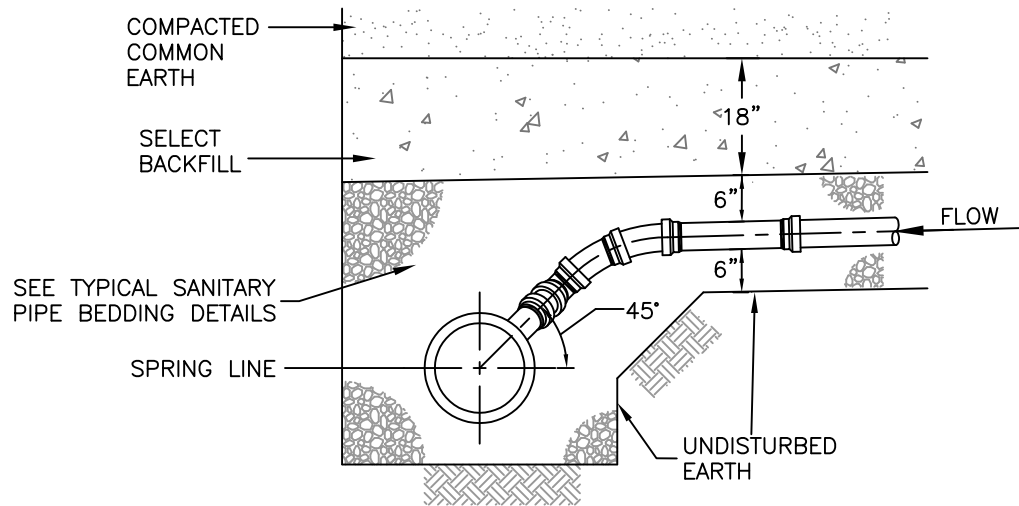


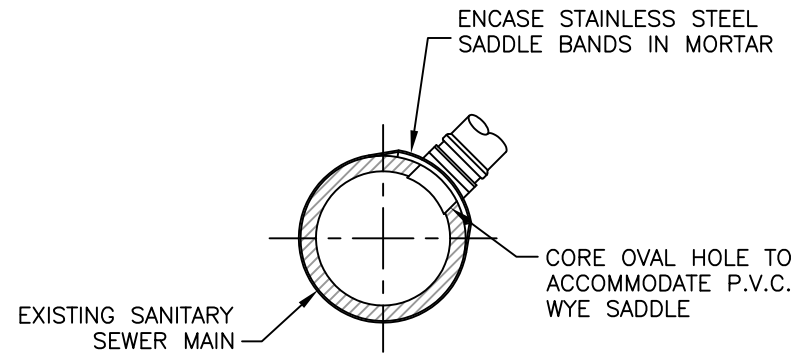
PLAN



INSERTA-TEE CONNECTION  
TO EXISTING SEWER



SECTION



SADDLE CONNECTION  
TO EXISTING SEWER



TOWN OF HENRIETTA

**SANITARY LATERAL  
CONNECTION DETAIL**

SCALE: N.T.S.

DATE: 11/15/2011

**SA-05**