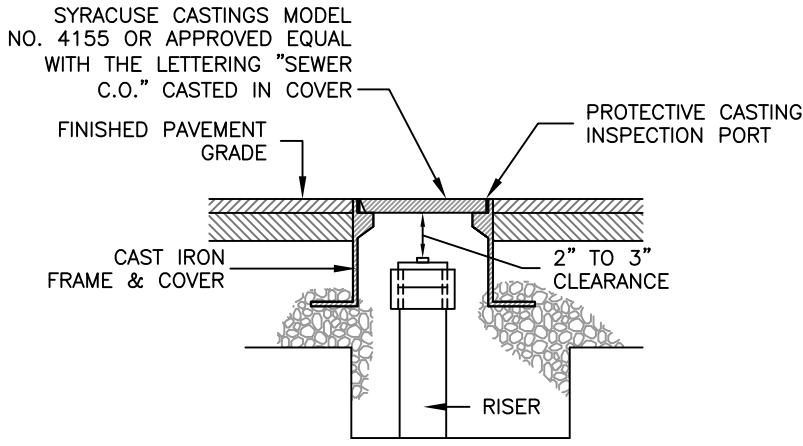
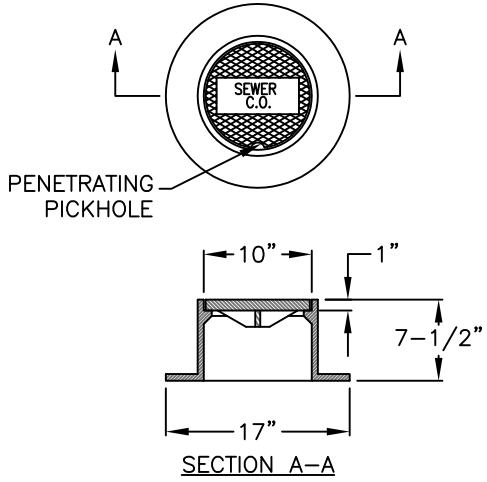


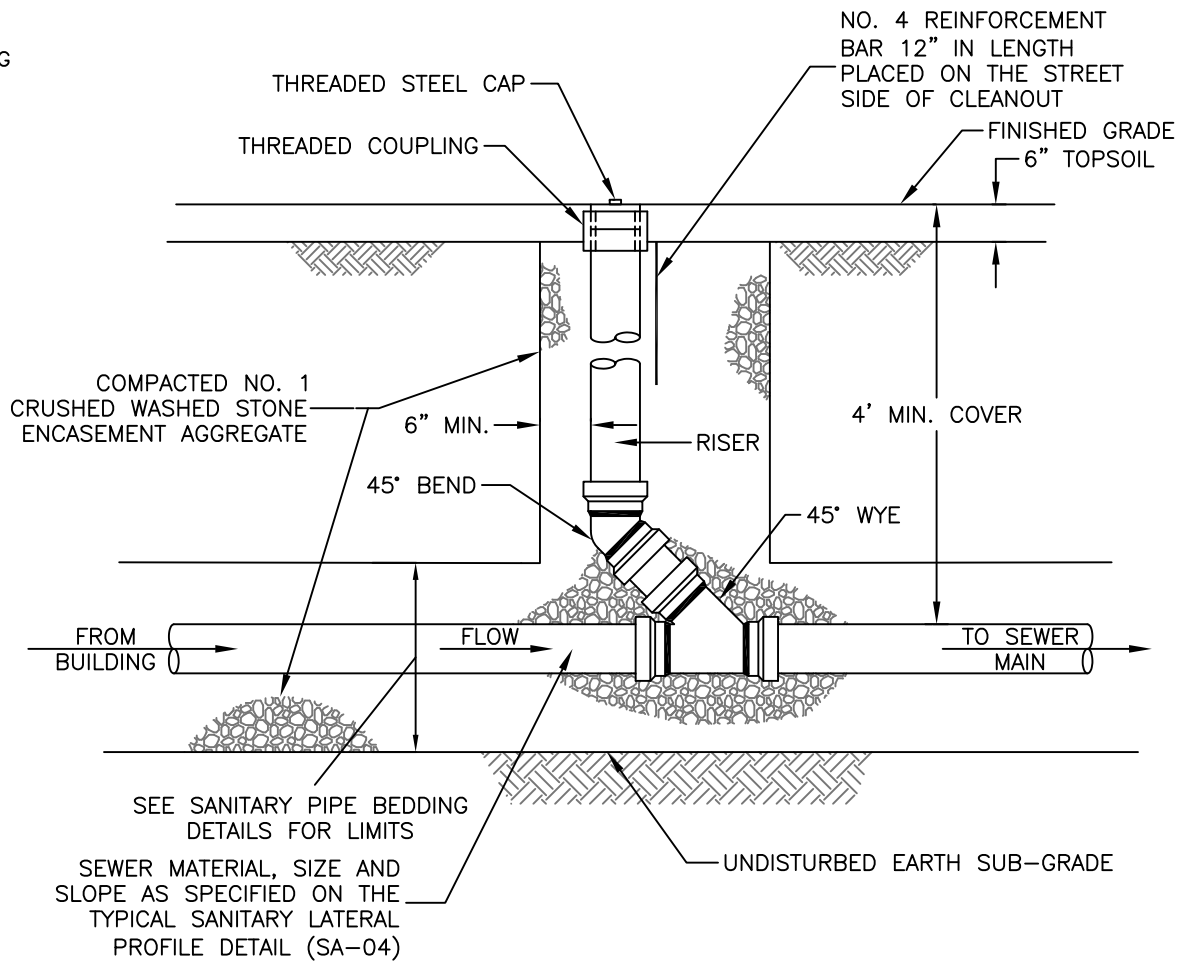
\\server\user folders\Town Projects\AutoCAD Projects\Non-Town Wide\Details\Sanitary\SA-07\Sanitary Lateral Cleanout.dwg



IN PAVEMENT AREAS




PROTECTIVE CASTING INSPECTION PORT



IN GRASS AREAS

NOTES:

1. MATERIAL SHALL BE GRAY CAST IRON CONFORMING TO A.S.T.M. A48 (LATEST REVISION) CLASS 308.
2. HEAVY DUTY CASTING SHALL BE DESIGNED FOR A.A.S.H.T.O. H20-16 WHEEL LOADS.

 TOWN OF HENRIETTA	SANITARY LATERAL CLEANOUT	
	SCALE: N.T.S.	
	DATE: 11/15/2011	
		SA-07