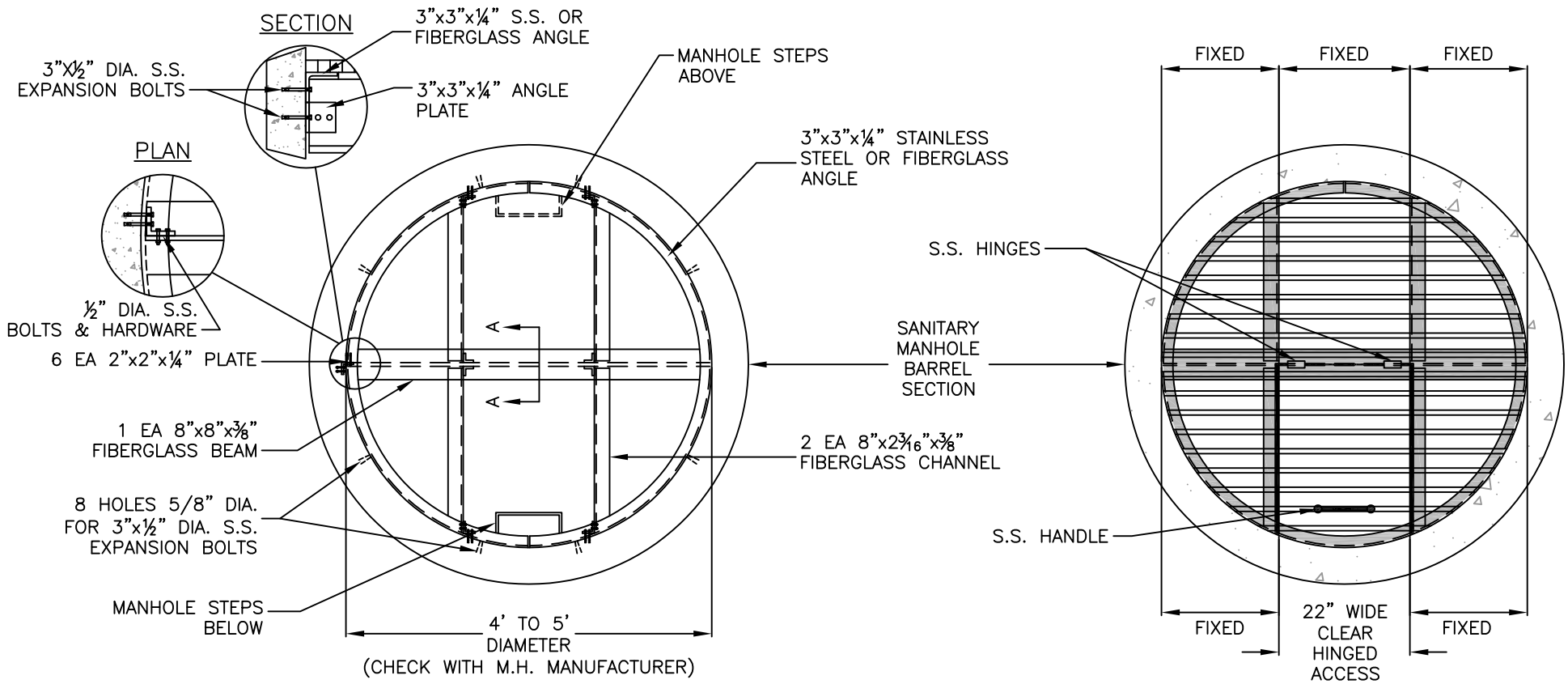


\\0server\user folders\Town Projects\AutoCAD Projects\Non-Town Wide\Details\Sanitary\SA-23\SafetyGrating.dwg

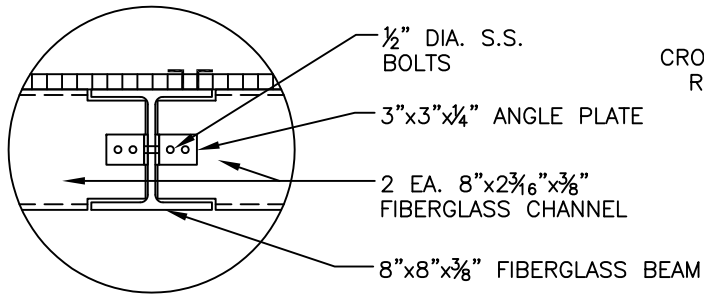


**FRAME & CHANNEL PLAN**

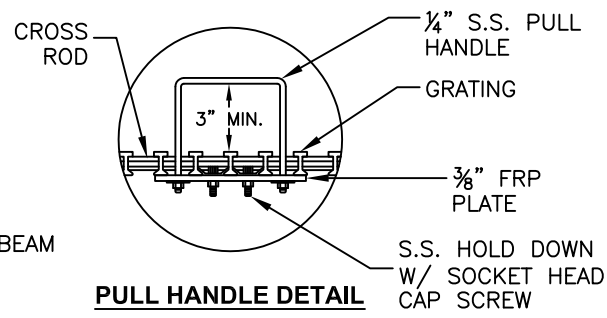
**GRATING PLAN VIEW**

**NOTES:**

1. FIBERGLASS SAFETY PLATFORMS WILL BE REQUIRED IN ALL SANITARY MANHOLES IN EXCESS OF 16 FT. IN DEPTH (BETWEEN RIM & INVERT).
2. ALL BOLTS, METAL HARDWARE, & ACCESSORIES SHALL BE STAINLESS STEEL (S.S.).
3. GRATING SHALL BE FIBERGLASS GRATING DURADEK I-6000 1" I-BARS OR APPROVED EQUAL.
4. GRATING SHALL BE SECURED WITH STAINLESS STEEL SADDLE HOLD DOWN CLIPS AS RECOMMENDED BY THE MANUFACTURER.
5. SPECIAL MANHOLE FRAME & COVER SHALL BE REQUIRED FOR ACCESS. USE MODEL NO. 1011A AS MANUFACTURED BY SYRACUSE CASTINGS OR APPROVED EQUAL.



**SECTION A-A**



**PULL HANDLE DETAIL**



**MANHOLE SAFETY LANDING**

SCALE: N.T.S.

DATE: 6/28/2013

**SA-23**