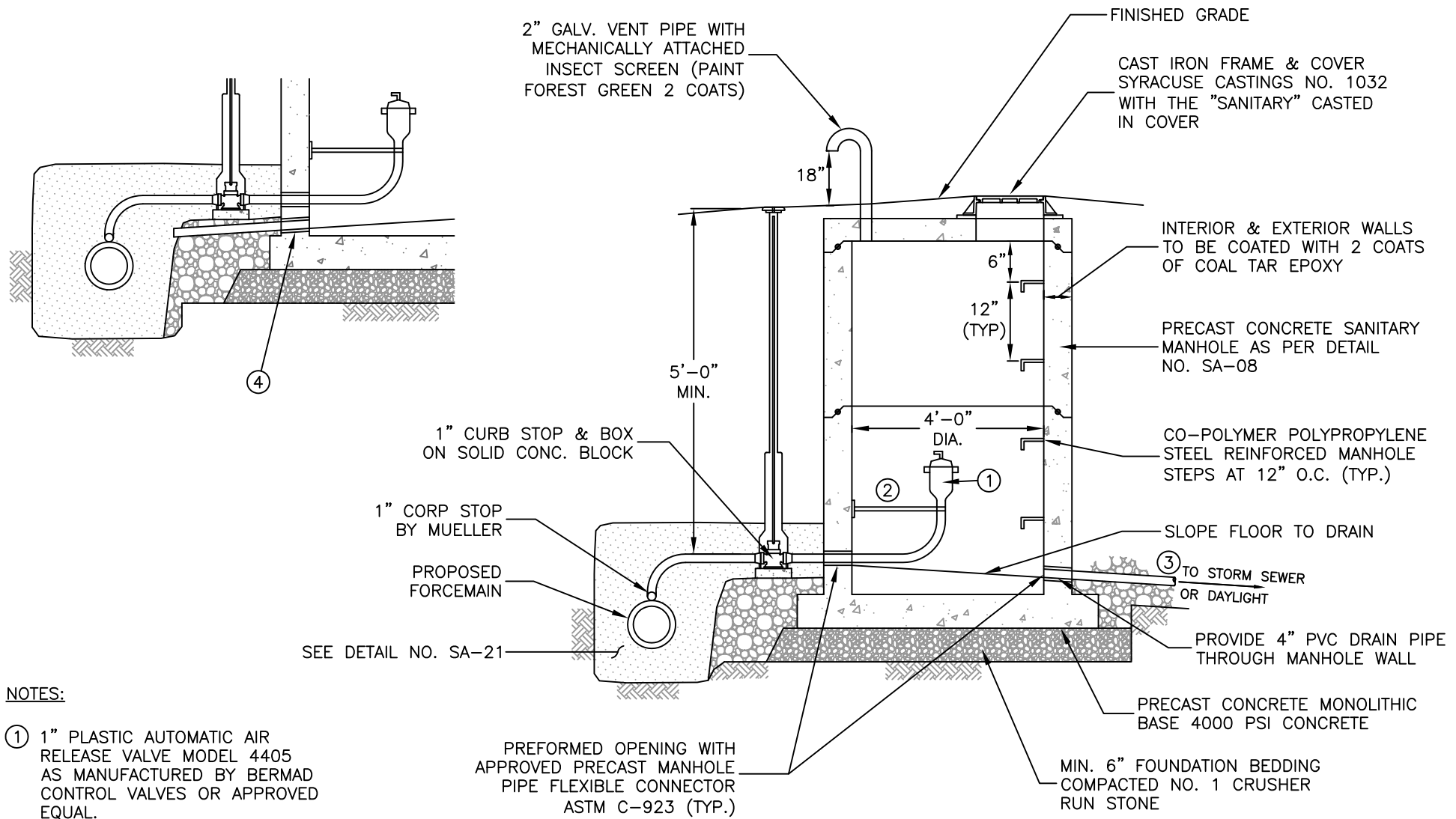



\\0server\user folders\Town Projects\AutoCAD Projects\Non-Town Wide\Details\Sanitary\SA-24\AutoAirRelease.dwg



NOTES:

- ① 1" PLASTIC AUTOMATIC AIR RELEASE VALVE MODEL 4405 AS MANUFACTURED BY BERHAD CONTROL VALVES OR APPROVED EQUAL.
- ② PROVIDE SUFFICIENT BRACING FROM THE WALL TO SUPPORT AIR RELEASE VALVE ASSEMBLY.
- ③ IF DRAIN PIPE DAYLIGHTS THEN INSTALL RODENT SCREEN AT OUTFALL.
- ④ DRAIN PIPE TO WEEP INTO FORCEMAIN NO. 1 WASHED CRUSHED STONE ENCASEMENT.

 TOWN OF HENRIETTA	AUTOMATIC AIR RELEASE INSTALLATION FOR FORCEMAIN	
	SCALE: N.T.S.	SA-24
	DATE: 11/15/2011	