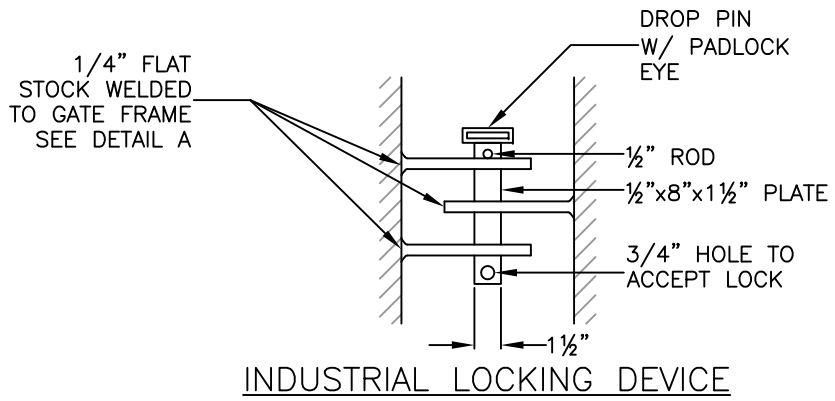
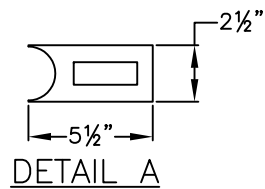
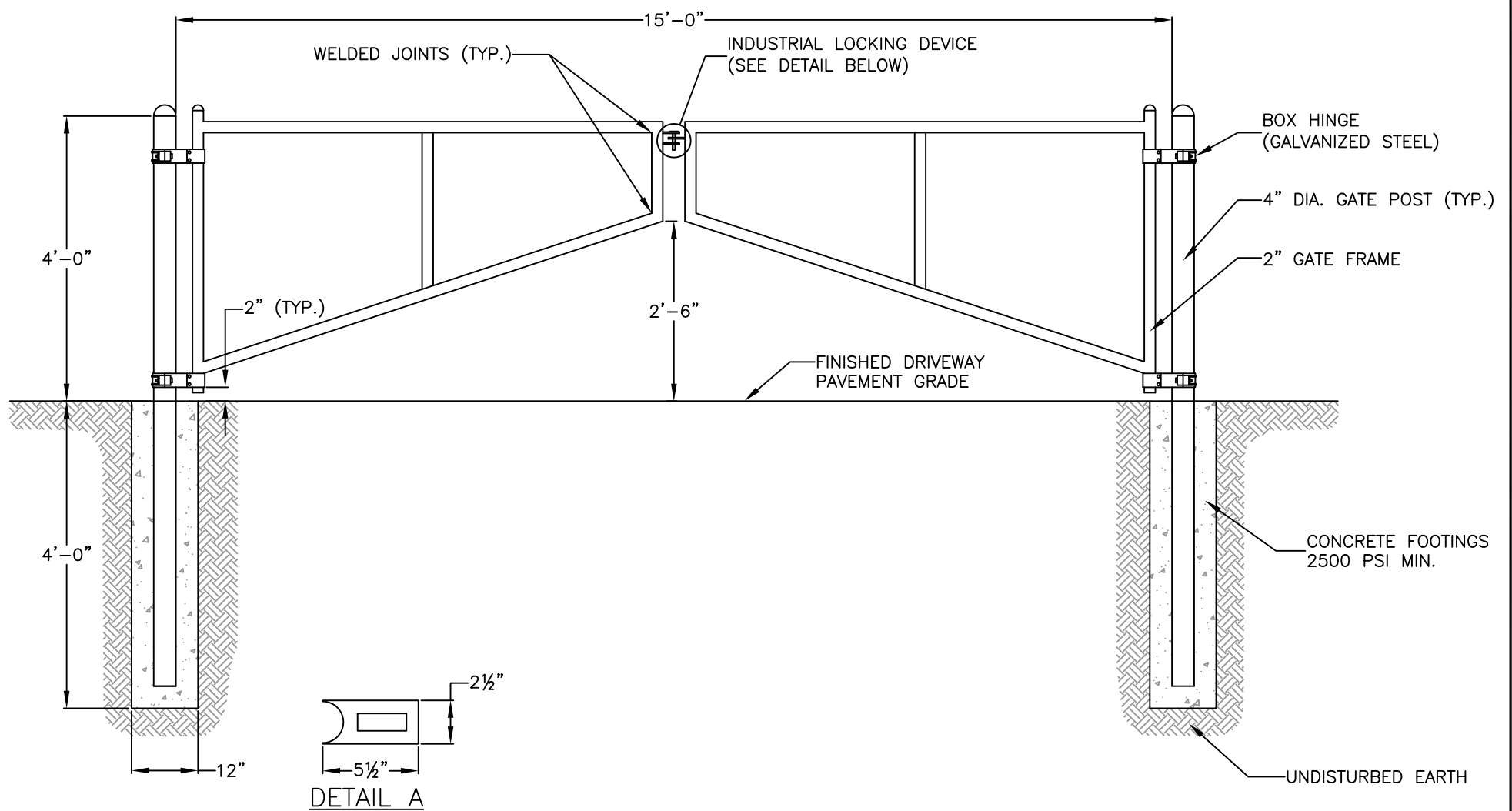



\\server\user folders\Town Projects\AutoCAD Projects\Non-Town Wide\Details\Sanitary\SA-25\SecurityAccessGate.dwg



NOTES:

1. ALL PIPES SHALL BE HOT DIP GALVANIZED STEEL SCHEDULE 40 MIN.
2. ALL WELDS & REPAIRS SHALL BE COATED WITH COLD GALVANIZED.

 TOWN OF HENRIETTA	SECURITY ACCESS GATE	
	SCALE: N.T.S.	SA-25
	DATE: 11/15/2011	