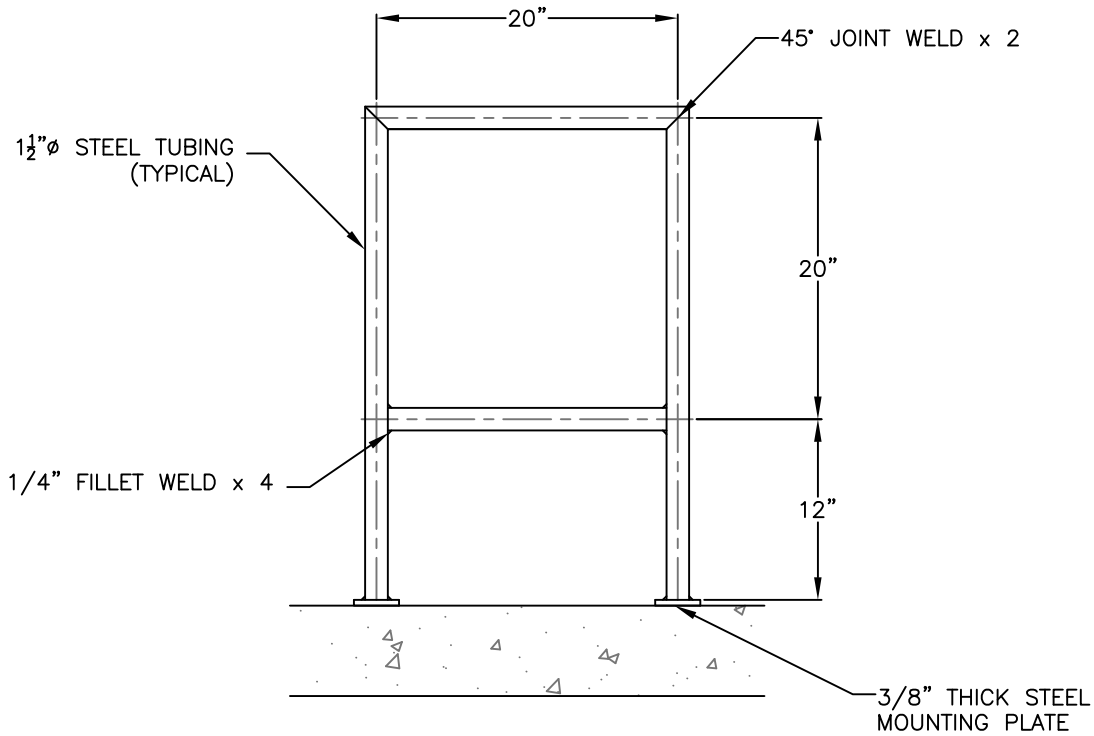
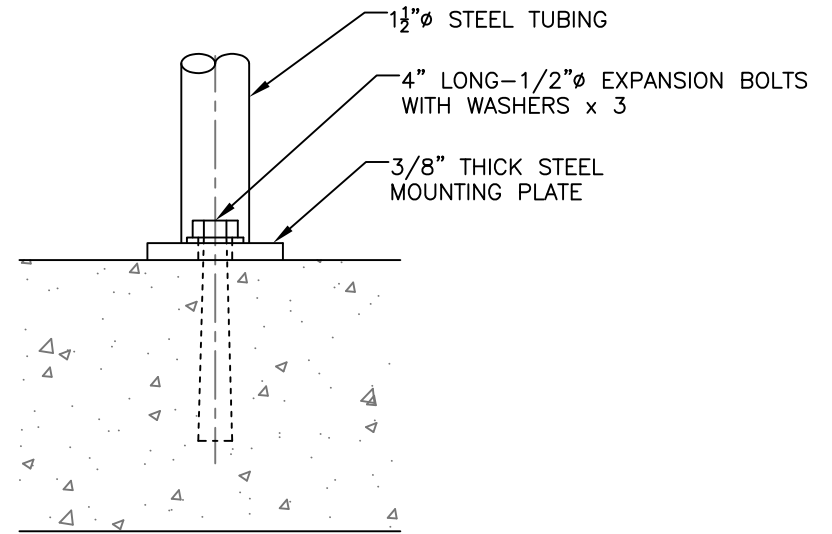


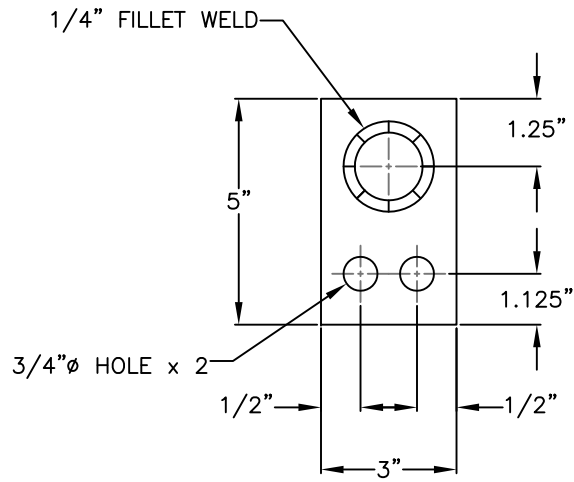
\\0server\user folders\Town Projects\AutoCAD Projects\Non-Town Wide\Details\Sanitary\SA-27\PumpStationRail.dwg



HAND RAIL DETAIL



MOUNTING DETAIL



MOUNTING PLATE DETAIL



TOWN OF HENRIETTA

PUMP STATION ACCESS HAND RAIL DETAIL

SCALE: N.T.S.

DATE: 11/15/2011

SA-27