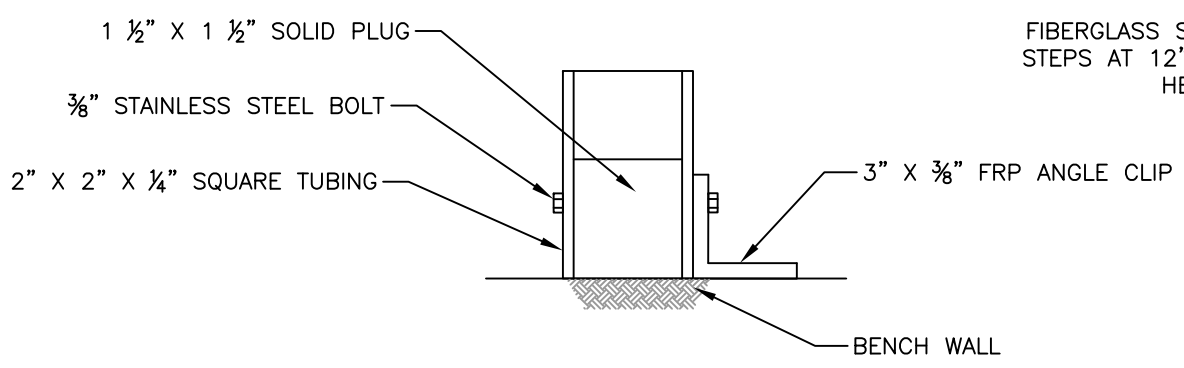
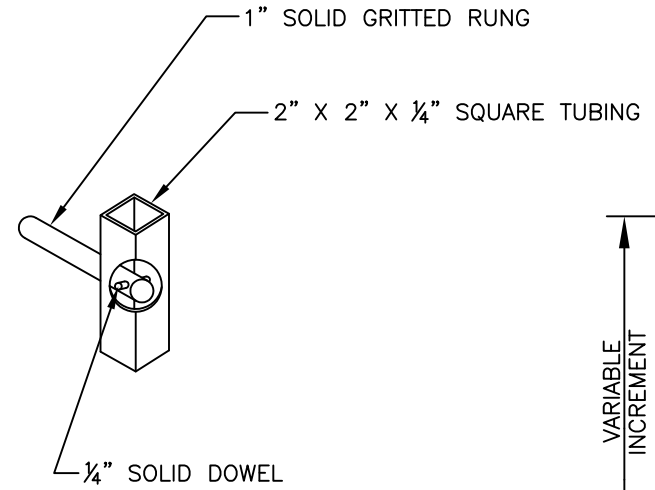
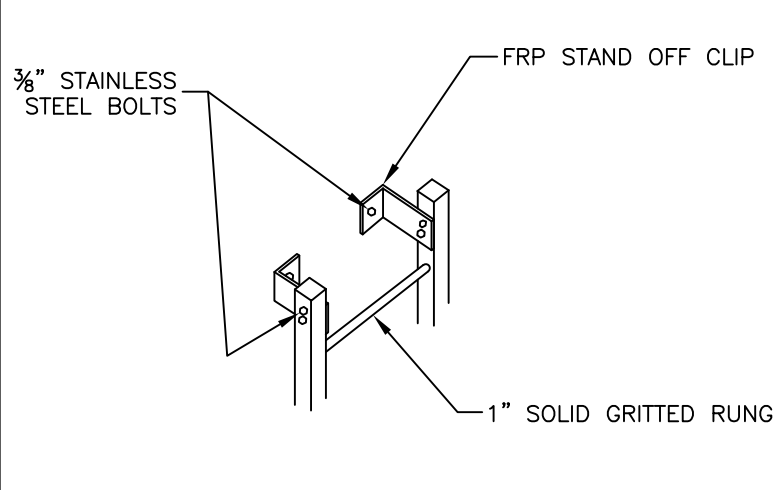
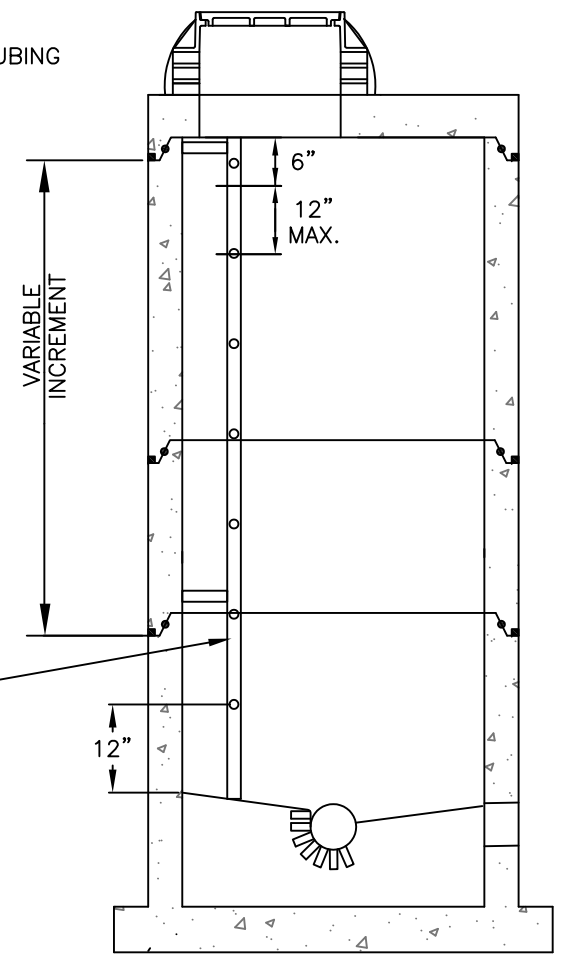


\\0server\user folders\Town Projects\AutoCAD Projects\Non-Town Wide Details\Sanitary\SA-28\SanitaryLadder.dwg



FIBERGLASS STEP LADDER  
STEPS AT 12" O.C. (TYP.)  
HEIGHT VARIES



TOWN OF HENRIETTA

**SANITARY SEWER FIBERGLASS LADDER**

SCALE: N.T.S.

DATE: 11/15/2011

**SA-28**