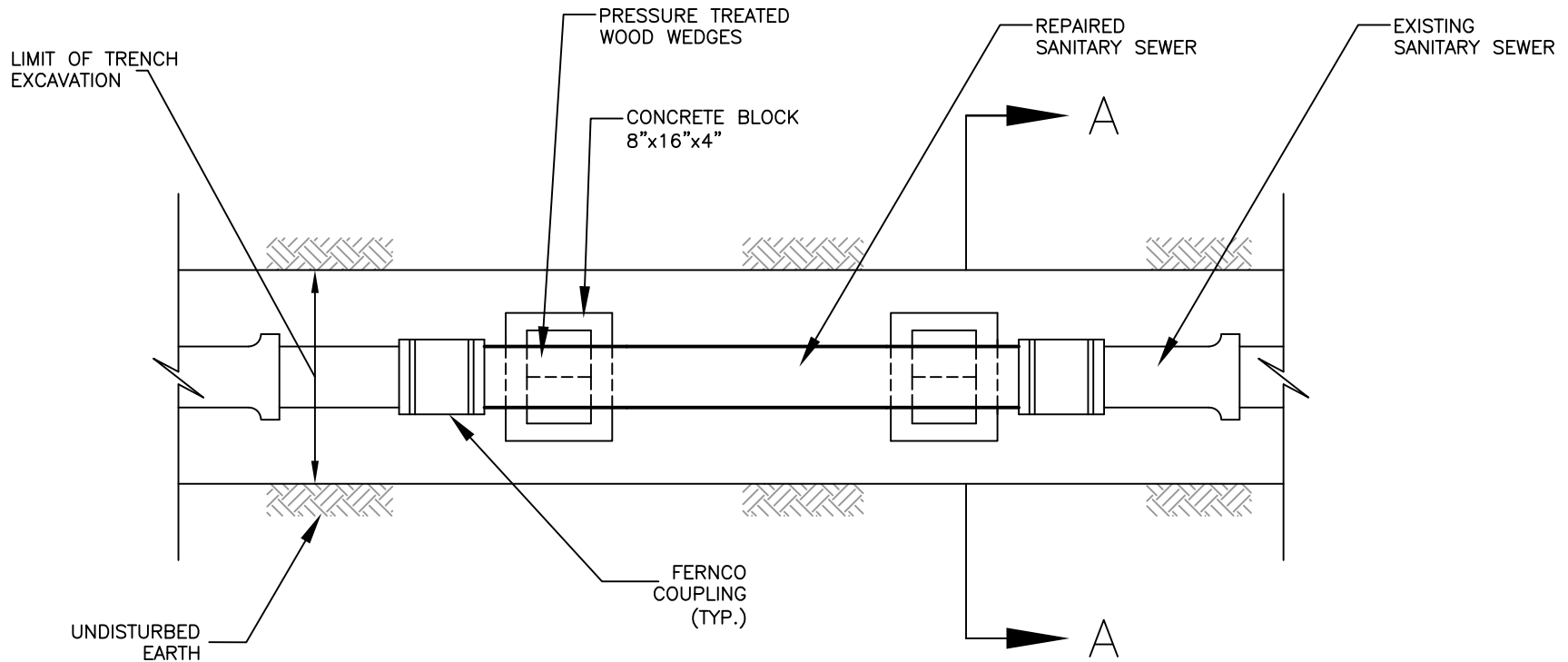
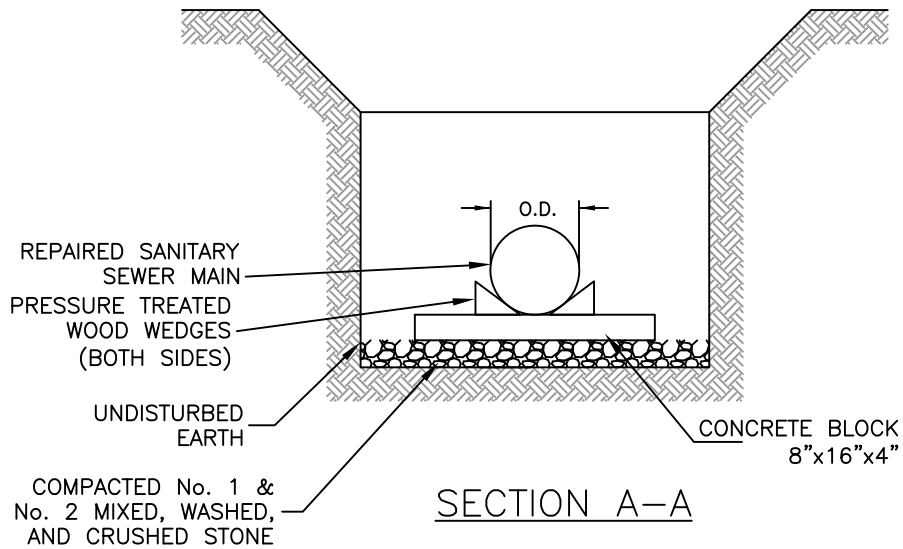


\\0server\user folders\Town Projects\AutoCAD Projects\Non-Town Wide\Details\Sanitary (SA-31)\Sanitarysewerrepairpipesupport.dwg



PLAN



SECTION A-A

NOTES

1. REFER TO TYPICAL SANITARY PIPE BEDDING DETAIL FOR ADDITIONAL INFORMATION.
2. THE PRESSURE TREATED WOOD WEDGES SHALL BE INSTALLED 12" AWAY FROM THE FERNCO COUPLING.



TOWN OF HENRIETTA

**SANITARY SEWER REPAIR
PIPE SUPPORT**

SCALE: N.T.S.

DATE: 11/11/2013

SA-31